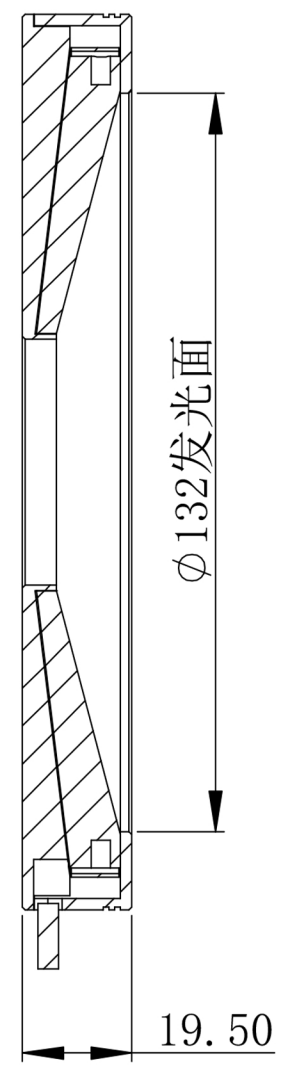
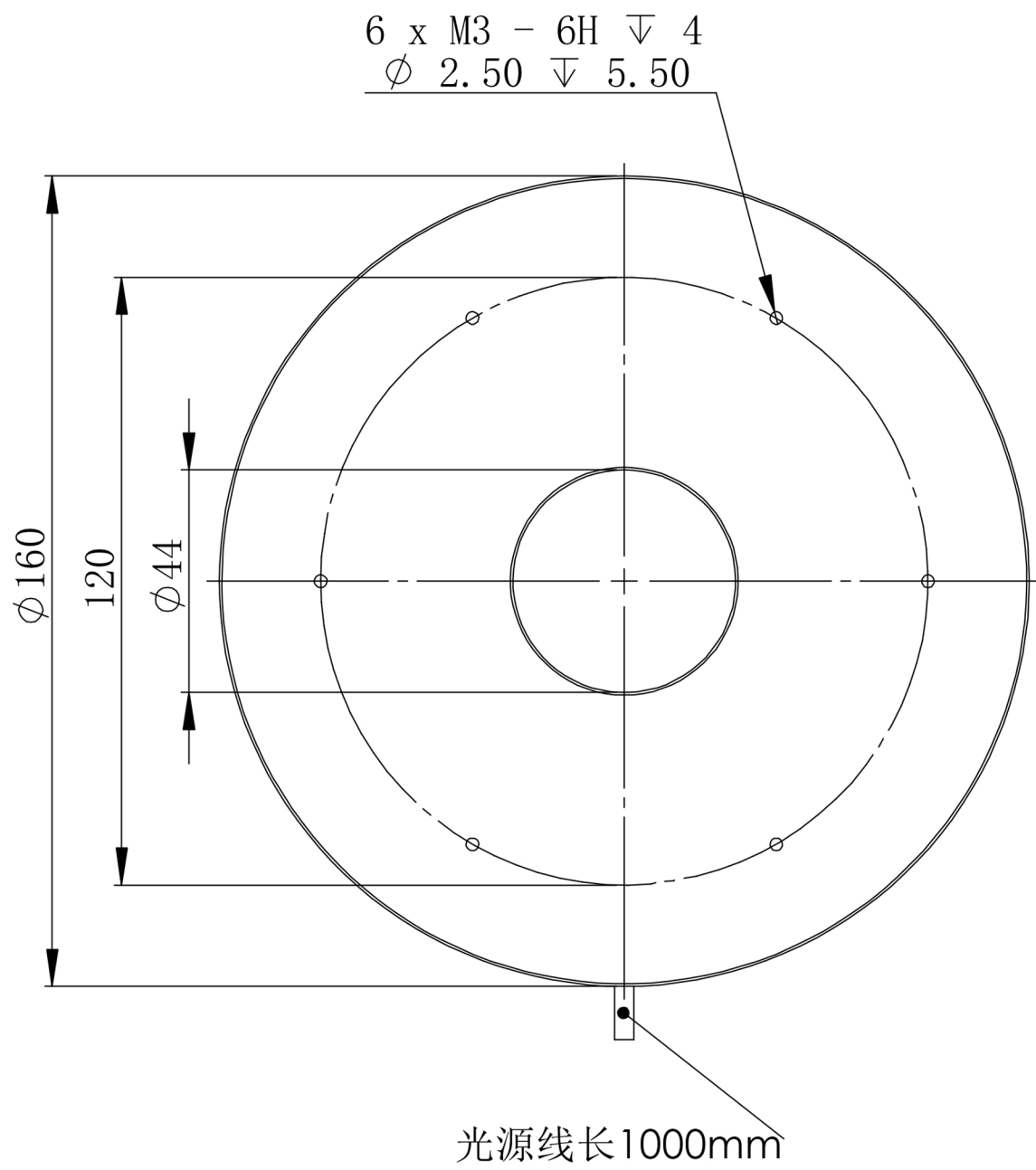
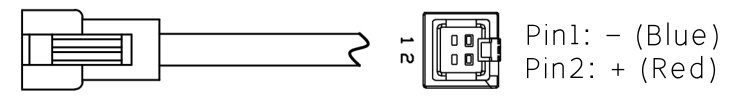


A
B
C
D
E
F

A
B
C
D
E
F



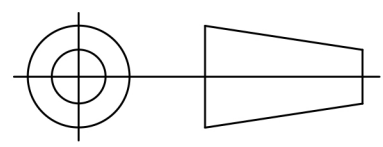
Details of Connector



Connector Type: SMR-03V-B (Light Side)
 SMP-03V-BC (Power Supply Side)

Specification:

| | | |
|-----------------|-----------------------|------------------|
| MODEL | PL-RIU160-W/-B/-G/-UV | -R/-IR850/-IR940 |
| Wavelength (nm) | 6500K/470/530/385 | 625/850/940 |
| Power Supply | DC24V/7 (W) | DC24V/5.5 (W) |



| | | | |
|--------------------|----------|--------------------|-----------------------|
| Itemref | Quantity | Material: AL/ACRIL | ArticleNo./Reference |
| | | | Filename PL-RIU160 |
| | | | Scale 1/1 |
| PL-RIU160-U | | | |
| PL-RIU160-0000 | | | Edition VER.1.0 |
| | | | Sheet 1 |