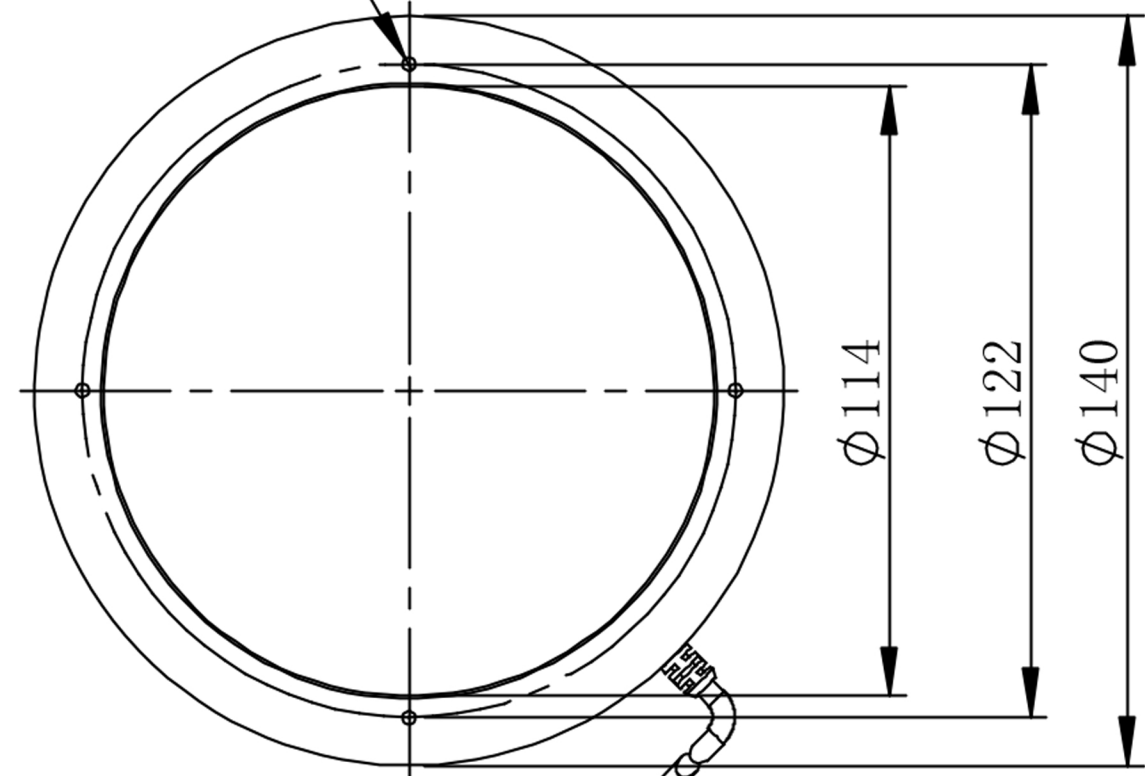
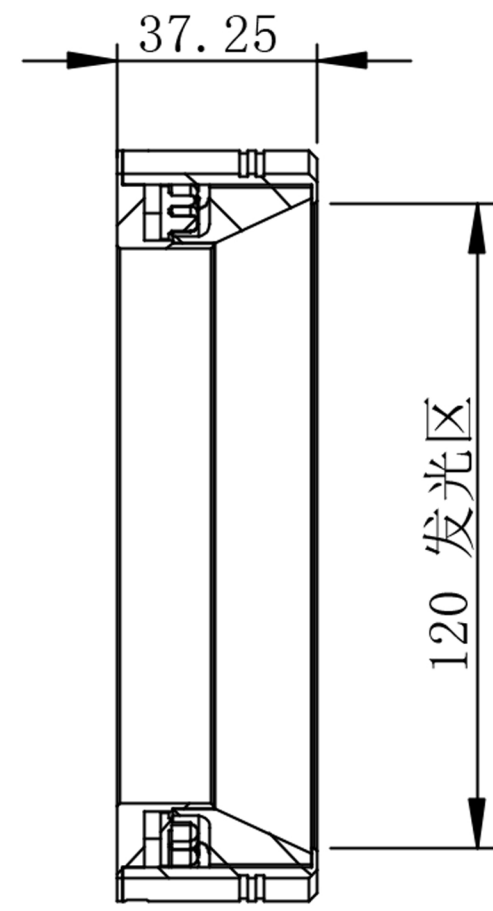


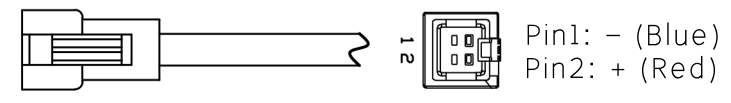
4 x ϕ 2.50 ∇ 4
M3 - 6H ∇ 3



出线长度800mm



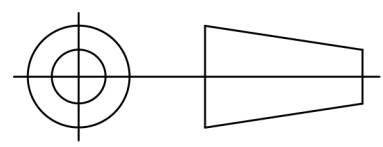
Details of Connector



Connector Type: SMR-03V-B (Light Side)
SMP-03V-BC (Power Supply Side)

Specification:

MODEL	PL-RIF140-W/-B/-G/-UV	-R/-IR850/-IR940
Wavelength (nm)	6500K/470/530/385	625/850/940
Power Supply	DC24V/15.6 (W)	DC24V/12.4 (W)



Itemref	Quantity	Material: AL/ACRIL	ArticleNo./Reference
			Filename PL-RIF140
			Scale 1/1
PL-RIF140-U			
PL-RIF140-0000			Edition VER.1.0
			Sheet 1