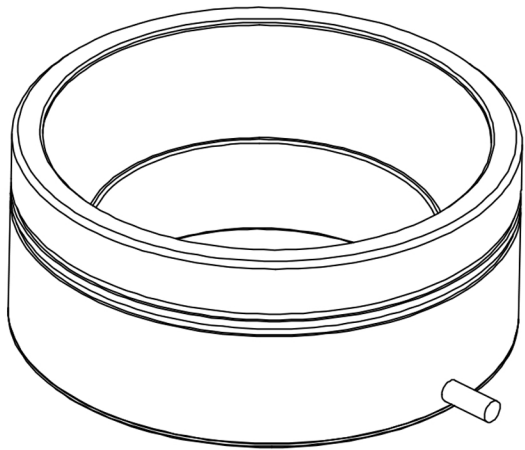
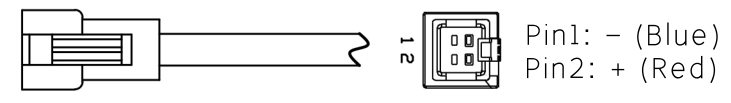


剖面 E-E



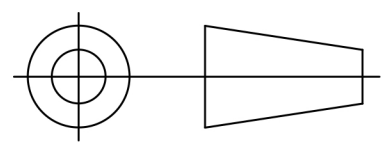
Details of Connector



Connector Type: SMR-03V-B (Light Side)
SMP-03V-BC (Power Supply Side)

Specification:

| | | |
|-----------------|----------------------|------------------|
| MODEL | PL-RIF88-W/-B/-G/-UV | -R/-IR850/-IR940 |
| Wavelength (nm) | 6500K/470/530/385 | 625/850/940 |
| Power Supply | DC24V/5.4 (W) | DC24V/3.6 (W) |



| | | | |
|-------------------|----------|--------------------|----------------------|
| Itemref | Quantity | Material: AL/ACRIL | ArticleNo./Reference |
| | | | Filename PL-RIF88 |
| | | | Scale 1/1 |
| PL-RIF88-U | | | |
| | | PL-RIF88-0000 | Edition VER.1.0 |
| | | | Sheet 1 |