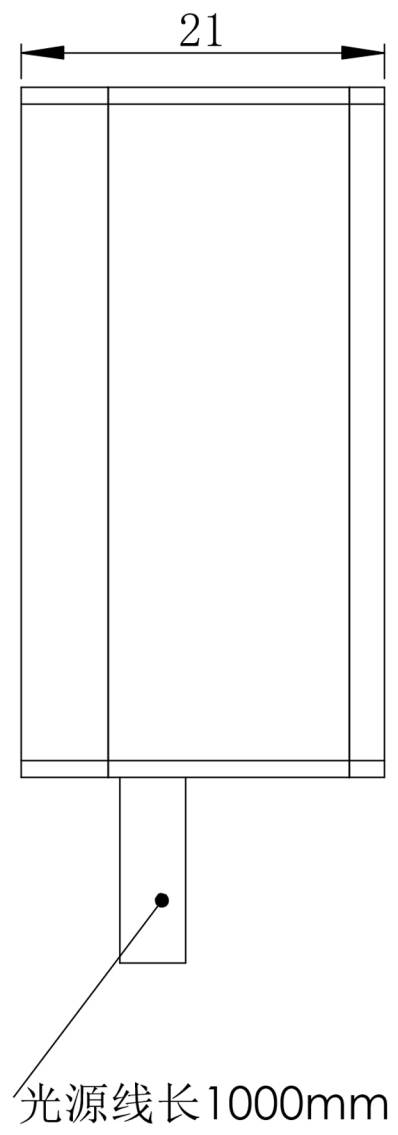
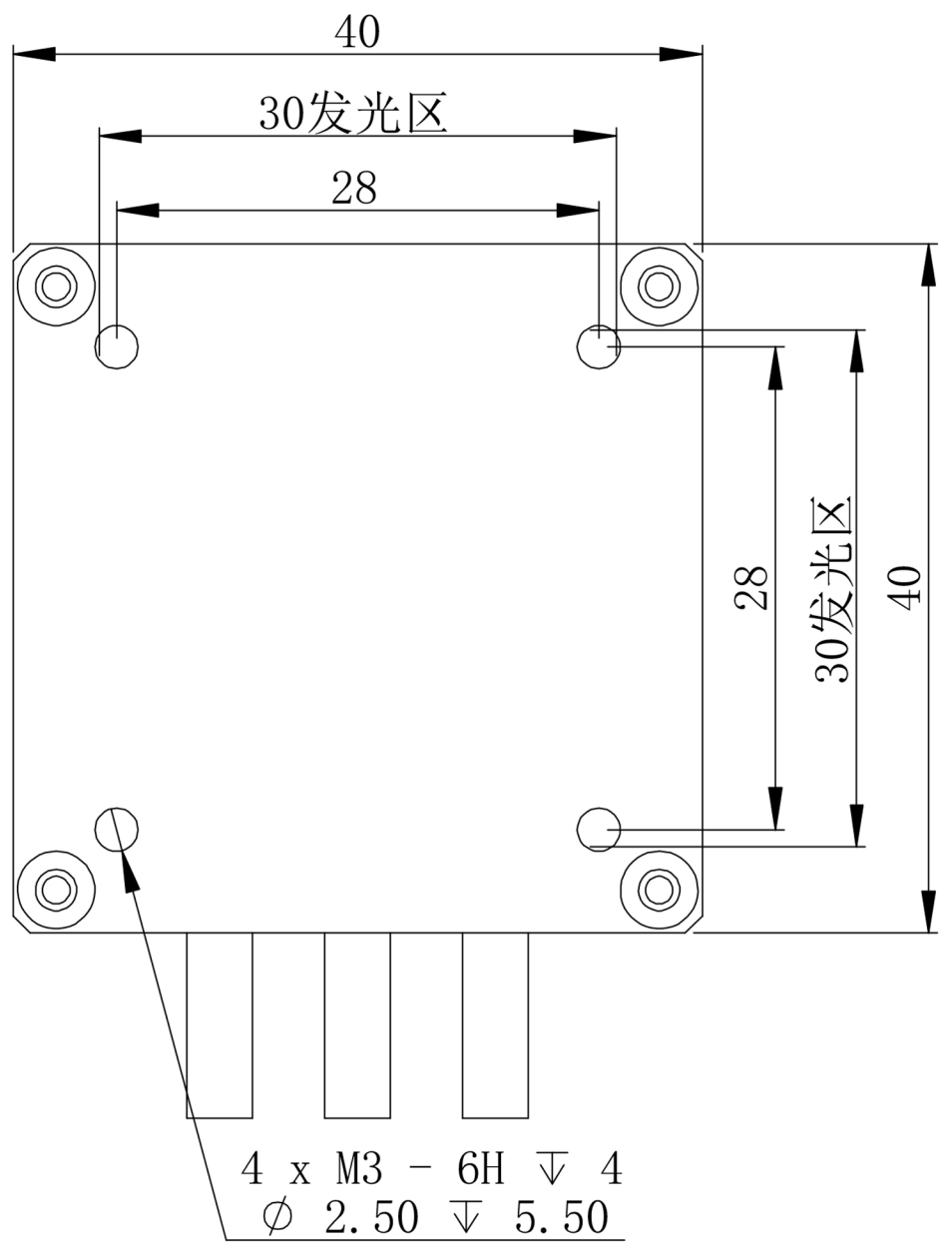
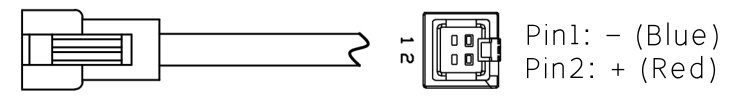


A  
B  
C  
D  
E  
F

A  
B  
C  
D  
E  
F



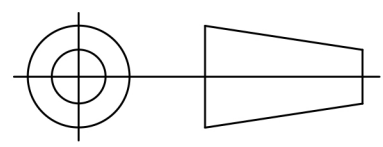
Details of Connector



Connector Type: SMR-03V-B (Light Side)  
SMP-03V-BC (Power Supply Side)

Specification:

MODEL	PL-BO4040-W/-B/-G/-UV	-R/-IR850/-IR940
Wavelength (nm)	6500K/470/530/385	625/850/940
Power Supply	DC24V/2.9 (W)	



Itemref	Quantity	Material: AL/ACRIL	ArticleNo./Reference	
			Filename PL-BO4040	Scale 1/1
			<b>PL-BO4040-U</b>	
			PL-BO4040-0000	Edition VER.1.0 Sheet 1