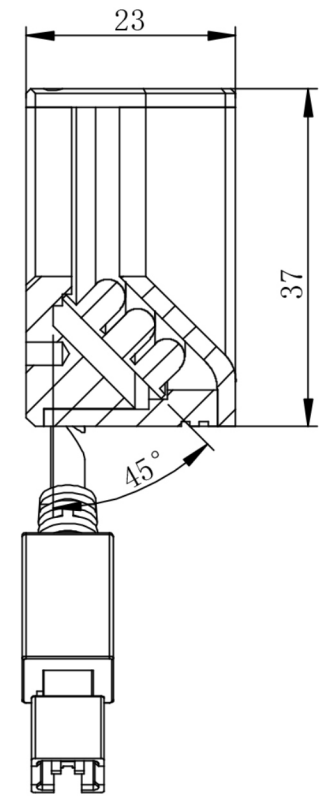
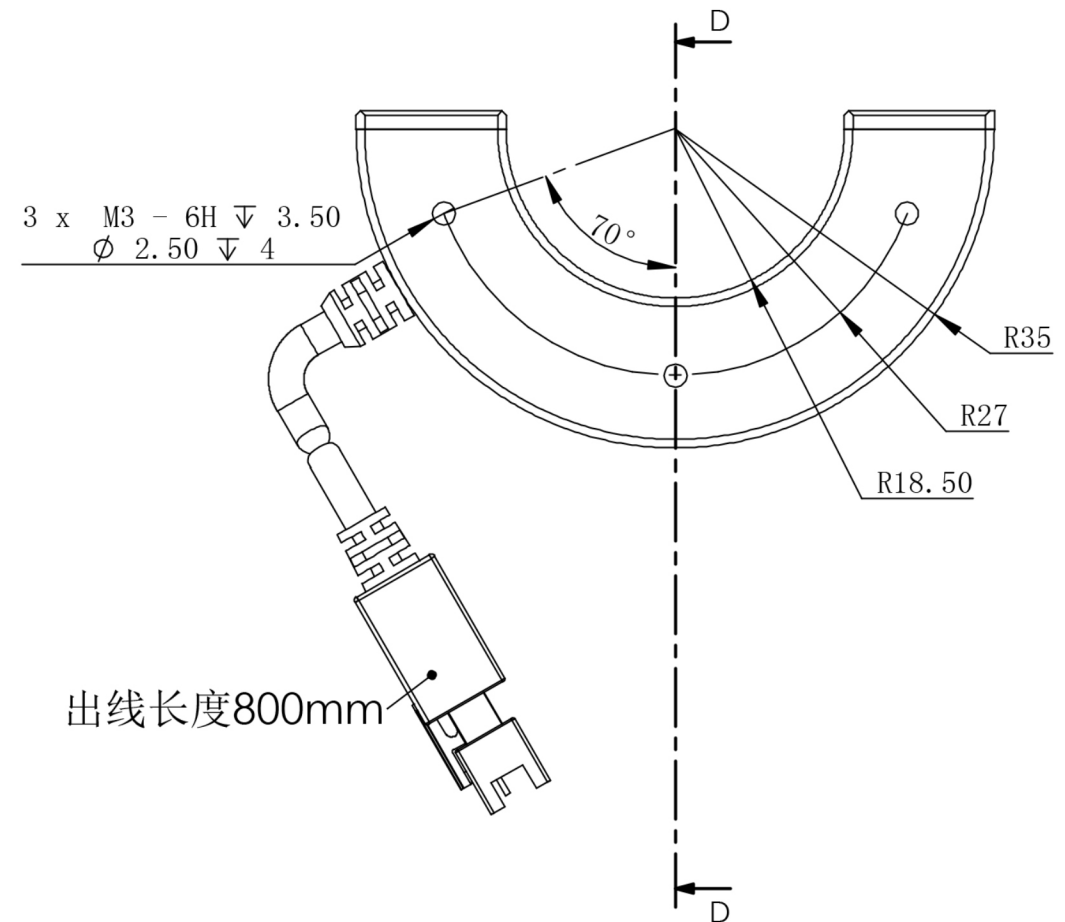
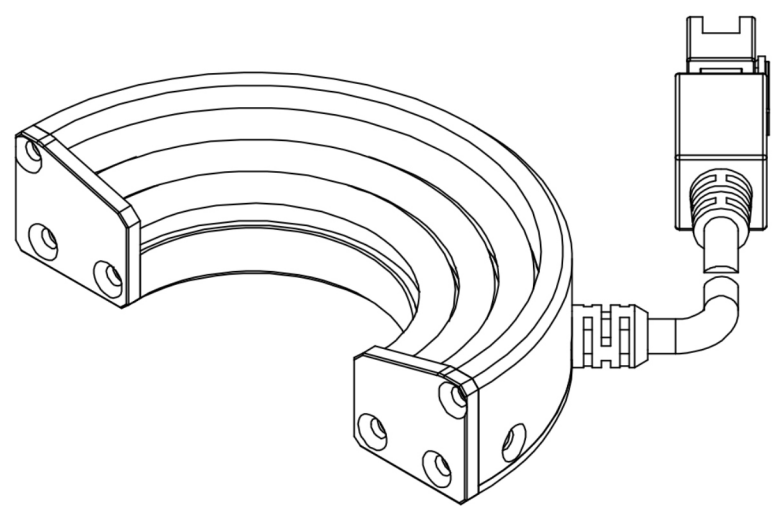


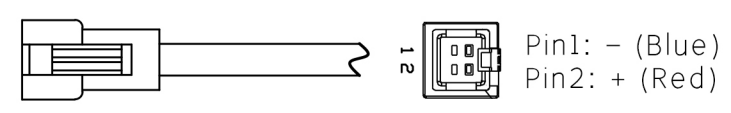
A  
B  
C  
D  
E  
F

A  
B  
C  
D  
E  
F



剖面 D-D

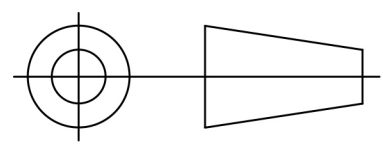
Details of Connector



Connector Type: SMR-03V-B (Light Side)  
 SMP-03V-BC (Power Supply Side)

Specification:

MODEL	PL-RIC7045-W/-B/-G/-UV	-R/-IR850/-IR940
Wavelength (nm)	6500K/470/530/385	625/850/940
Power Supply	DC24V/2.1 (W)	DC24V/1.6 (W)



Itemref	Quantity	Material: AL/ACRIL	ArticleNo./Reference
			Filename PL-RIC7045
			Scale 1/1
<b>PL-RIC7045-U</b>			
		PL-RIC7045-0000	Edition VER.1.0
			Sheet 1