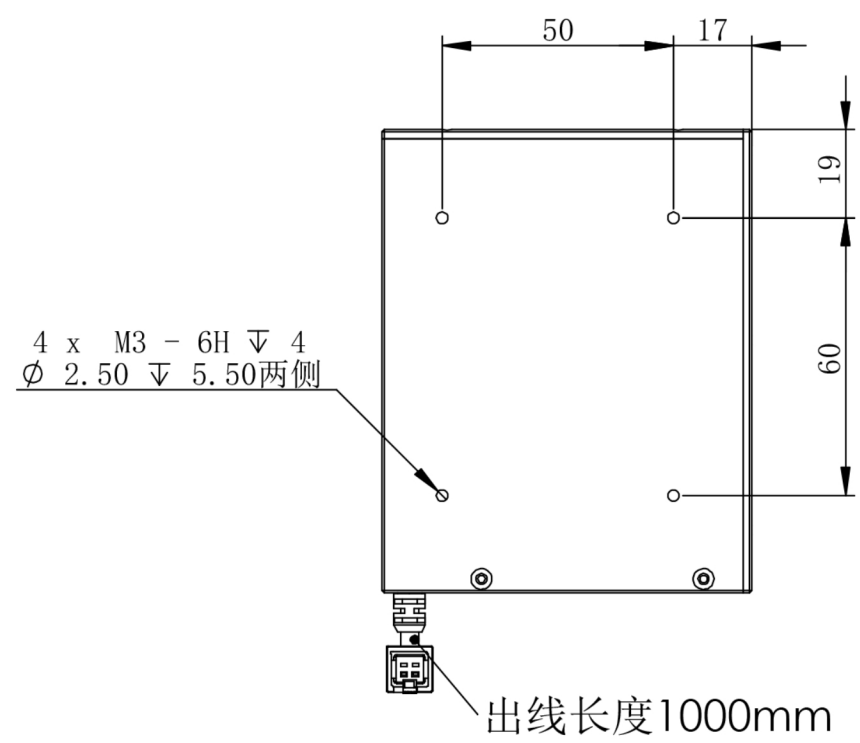


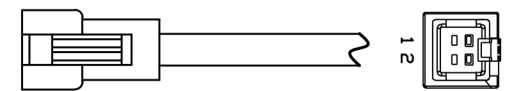
剖面 C-C



4 x M3 - 6H ∇ 4
 ϕ 2.50 ∇ 5.50 两侧

出线长度1000mm

Details of Connector

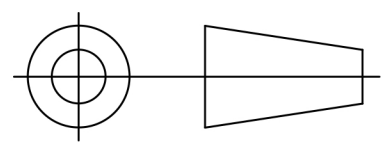


Pin1: - (Blue)
 Pin2: + (Red)

Connector Type: SMP-03V-B (Light Side)
 SMP-03V-BC (Power Supply Side)

Specification:

MODEL	PL-ACO80-W/-B/-G/-UV	-R/-IR850/-IR940
Wavelength (nm)	6500K/470/530/385	625/850/940
Power Supply	DC24V/8 (W)	DC24V/5 (W)



Itemref	Quantity	Material: AL/ACRIL	ArticleNo./Reference
			Filename PL-ACO80
			Scale 1/1
PL-ACO80-U			
		PL-ACO80-0000	Edition VER.1.0
			Sheet 1