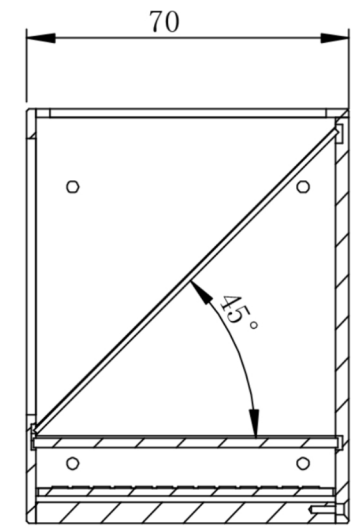
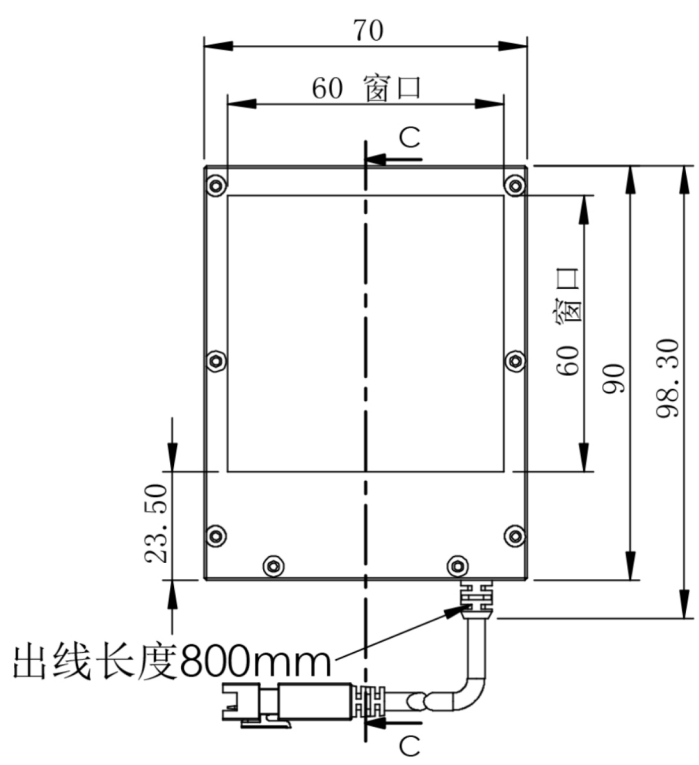
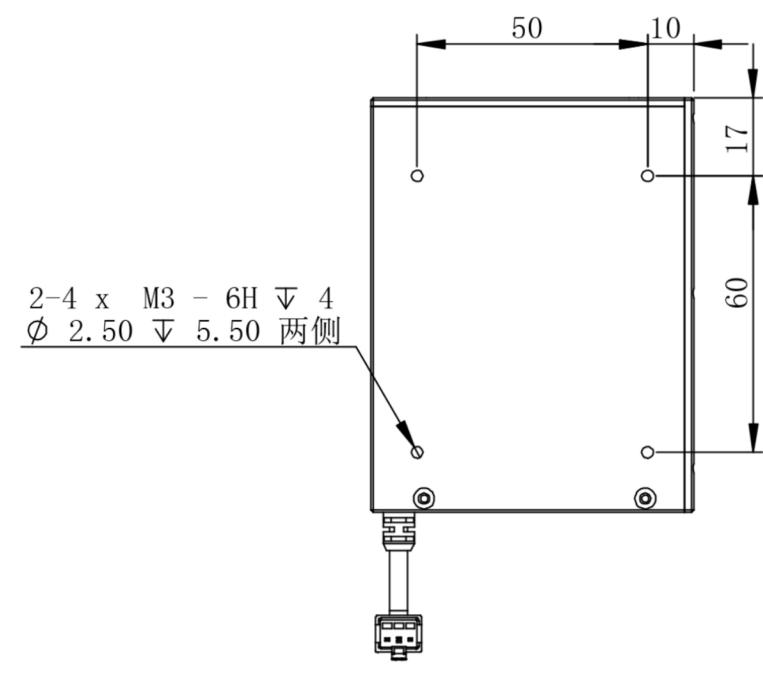
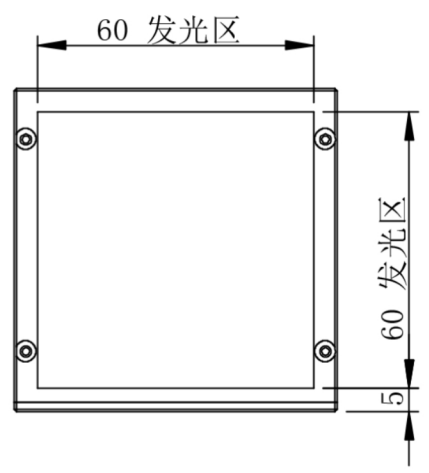


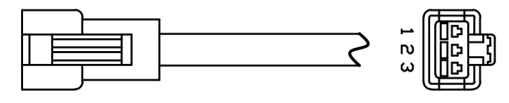
A
B
C
D
E
F

A
B
C
D
E
F



剖面 C-C

Details of Connector

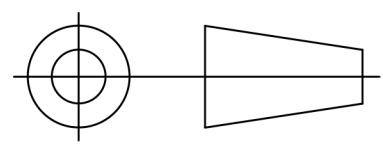


Pin1: - (Blue)
Pin2: N/A
Pin3: + (Red)

Connector Type: SMR-03V-B (Light Side)
SMP-03V-BC (Power Supply Side)

Specification:

MODEL	PL-ACO70-W/-B/-G/-UV	-R/-IR850/-IR940
Wavelength (nm)	6500K/470/530/385	625/850/940
Power Supply	DC24V/7.4 (W)	DC24V/4.5 (W)



Itemref	Quantity	Material: AL/ACRIL	ArticleNo./Reference	
			Filename PL-ACO70	Scale 1/1
			PL-ACO70-U	
			PL-ACO70-0000	Edition VER.1.0 Sheet 1