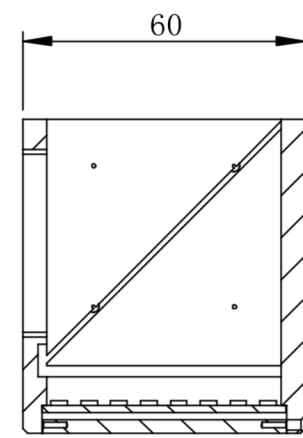
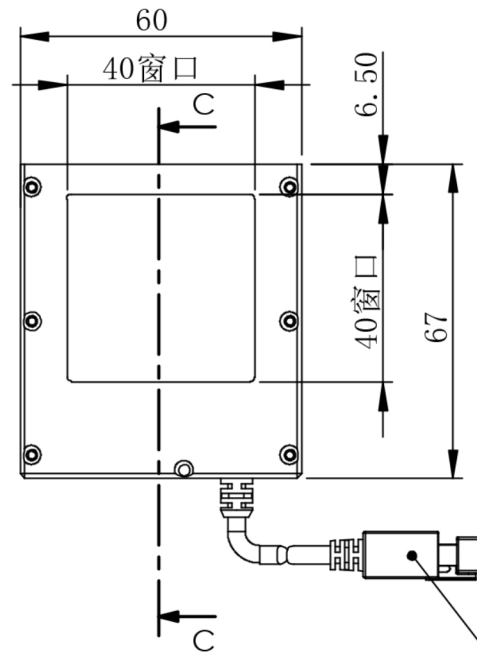


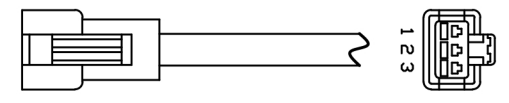
4 x M3 - 6H ∇ 4
 ∅ 2.50 ∇ 4.50
 两侧对称



剖面 C-C

出线长度800mm

Details of Connector

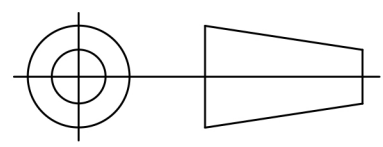


Pin1: - (Blue)
 Pin2: N/A
 Pin3: + (Red)

Connector Type: SMR-03V-B (Light Side)
 SMP-03V-BC (Power Supply Side)

Specification:

MODEL	PL-ACO60-W/-B/-G/-UV	-R/-IR850/-IR940
Wavelength (nm)	6500K/470/530/385	625/850/940
Power Supply	DC24V/6.5 (W)	DC24V/4 (W)



Itemref	Quantity	Material: AL/ACRIL	ArticleNo./Reference	
			Filename PL-ACO60	Scale 1/1
			PL-ACO60-U	
			PL-ACO60-0000	Edition VER.1.0 Sheet 1