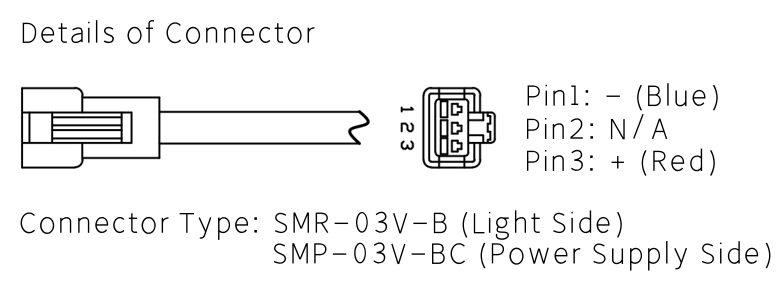
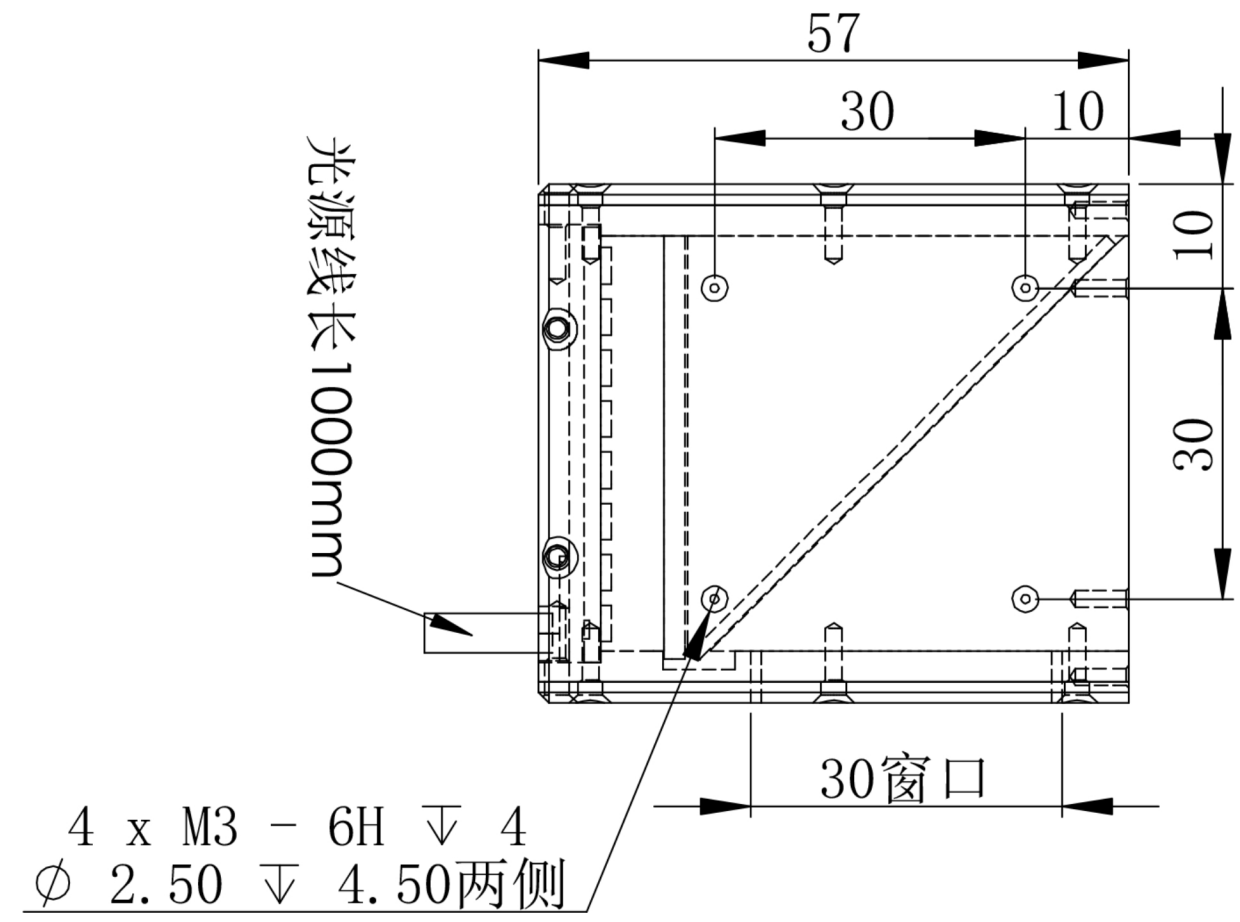


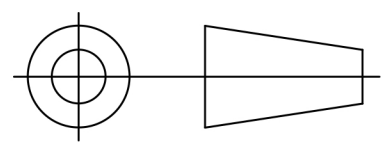
A
B
C
D
E
F

A
B
C
D
E
F



Specification:

MODEL	PL-ACO50S-W/-B/-G/-UV	-R/-IR850/-IR940
Wavelength (nm)	6500K/470/530/385	625/850/940
Power Supply	DC24V/5 (W)	DC24V/3.1 (W)



Itemref	Quantity	Material: AL/ACRIL	ArticleNo./Reference
			Filename PL-ACO50S
			Scale 1/1
PL-ACO50S-U			
		PL-ACO50S-0000	Edition VER.1.0
			Sheet 1