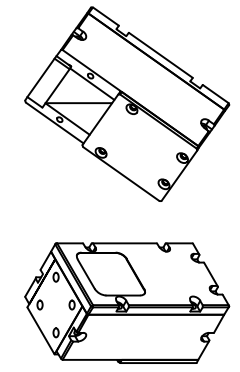
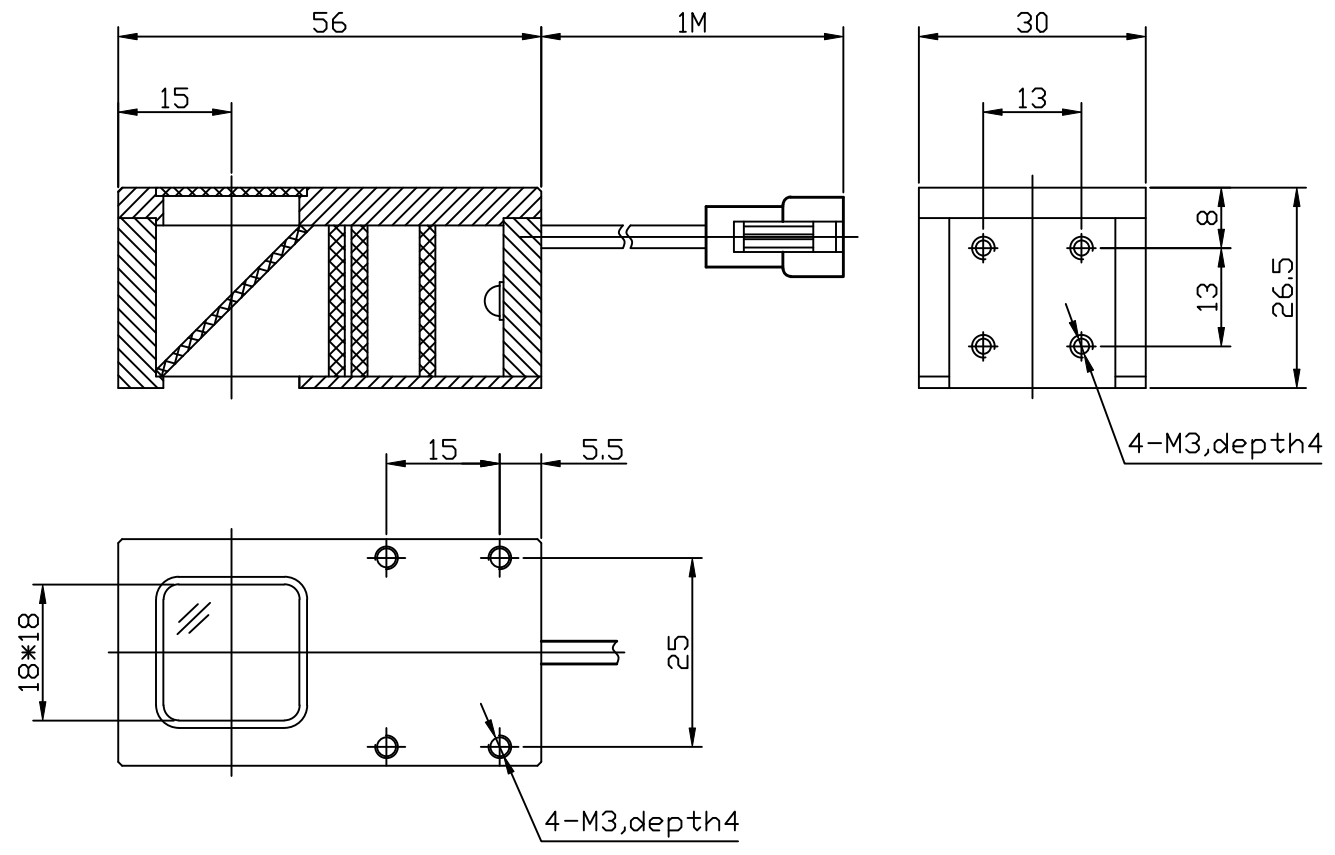
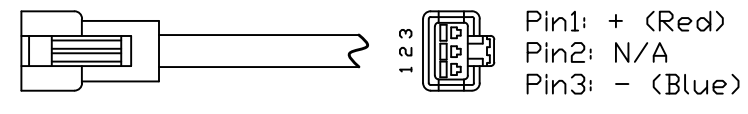


A
B
C
D
E
F



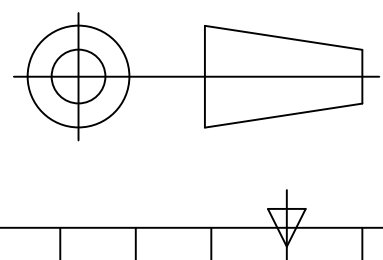
Details of Connector



Connector Type: SMR-03V-B (Light Side)
SMP-03V-BC (Power Supply Side)

Specification:

MODEL	WLFV3-20B-W/-B/-G/-UV	-Y/-R/-IR850/-IR940
Wavelength(nm)	6500K/470/525/390	590/625/850/940
Power Supply	DC24V/4.8(W)	DC24V/4.8(W)
Weight	85g	



Itemref	Quantity	Material:	Article No./Reference
Designed by Y.KOTANI	Checked by T.ONO	Approved by - date AUG-22,2016	Filename WLFV3-20B
WAVECREST(SH)		WLFV3-20B-USER	
		WLFV3-20B-0000	Edition VER.1.0
			Sheet 1