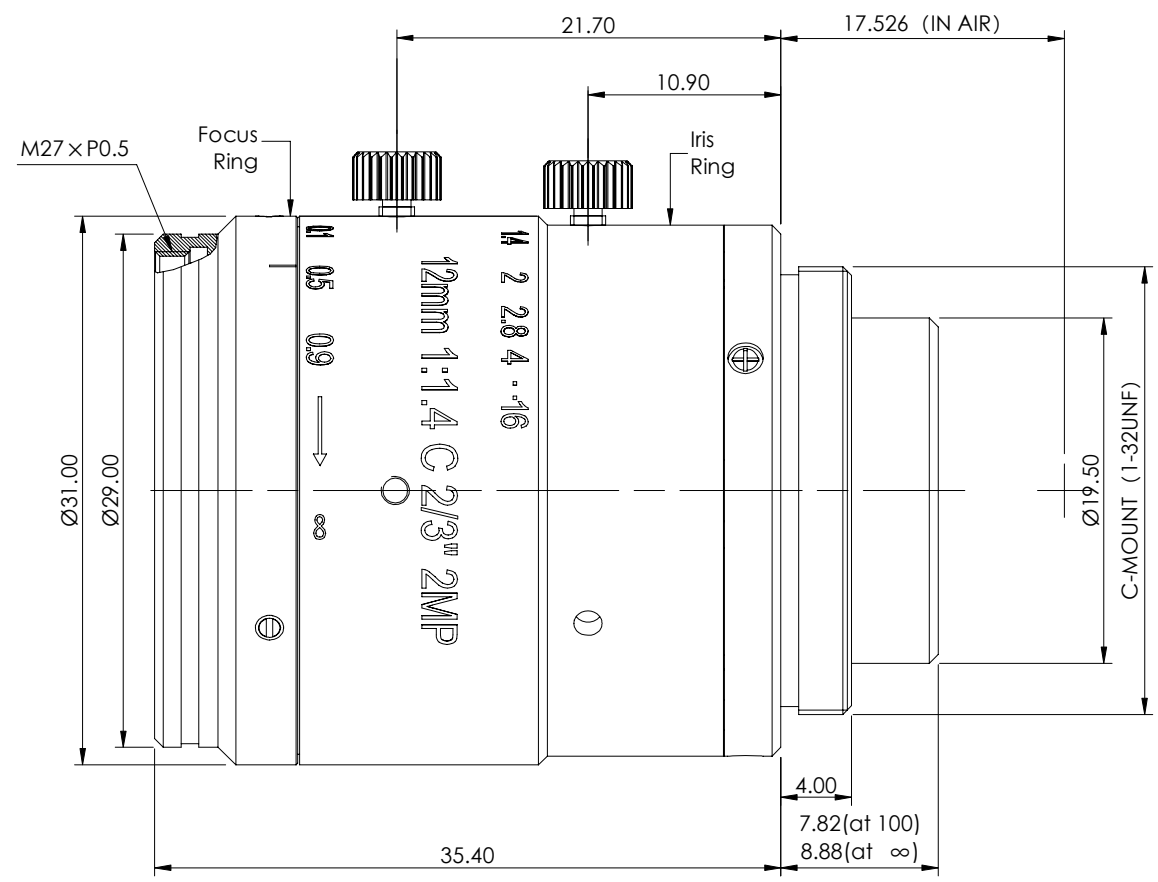


| Optical Specification | | |
|-----------------------|----------------|-----------------------|
| Model | C1214-2M-V1.0 | |
| Resolution | 5 μ m | |
| Mount | C Mount | |
| Sensor | 2/3" | |
| Focal Length(mm) | 12 | |
| Adjustion Type | Manual | |
| F NO. | F1.4-F16 | |
| Working Distance (mm) | 100~ ∞ | |
| Field Angle | 1/3" (H×V×D) | 23.0° × 17.3° × 28.6° |
| | 1/2.5" (H×V×D) | 27.4° × 20.4° × 33.7° |
| | 1/1.8" (H×V×D) | 34.2° × 26.2° × 42.4° |
| | 2/3" (H×V×D) | 40.1° × 33.7° × 50.7° |
| Distortion | < 2.8% | |
| Weight | 0.06kg | |
| Back Focal Length(mm) | 9.33 | |
| Size (mm) | Ø31.00×35.40 | |
| Filter(mm) | M27×P0.5 | |
| Working Temperature | -20℃~+60℃ | |



Unit:mm

| | |
|---------------------|---|
| View Angle | |
| Standard Difference | |
| IT14 | |
| Drawing Code | A |

| | |
|--------------|------------|
| Remark | |
| Item | Signature |
| Design | |
| Check | |
| Approve | |
| Paper Size | A4 |
| Revised Date | 2020-12-03 |

| | |
|---------|----------------|
| Date | |
| Scale | |
| Page | 1/1 Total Page |
| Version | A01 |

| | | | |
|---------------|--|--|--|
| C1214-2M-V1.0 | | | |
|---------------|--|--|--|