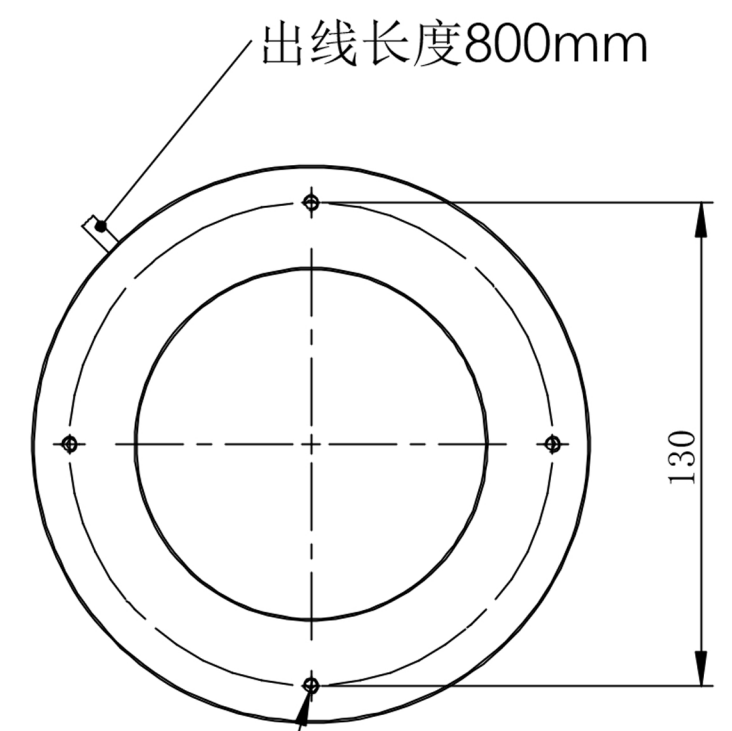
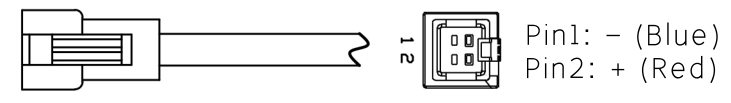


剖面 G-G



4 x M4 - 6H  $\nabla$  4  
 $\phi$  3.30  $\nabla$  6.10

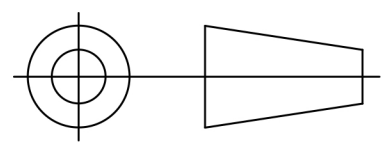
Details of Connector



Connector Type: SMR-03V-B (Light Side)  
 SMP-03V-BC (Power Supply Side)

Specification:

MODEL	PL-R115045-W/-B/-G/-UV	-R/-IR850/-IR940
Wavelength (nm)	6500K/470/530/385	625/850/940
Power Supply	DC24V/23 (W)	DC24V/15.5 (W)



Itemref	Quantity	Material: AL/ACRIL	ArticleNo./Reference
			Filename PL-R115045
			Scale 1/1
<b>PL-R115045-U</b>			
PL-R115045-0000			Edition VER.1.0
			Sheet 1