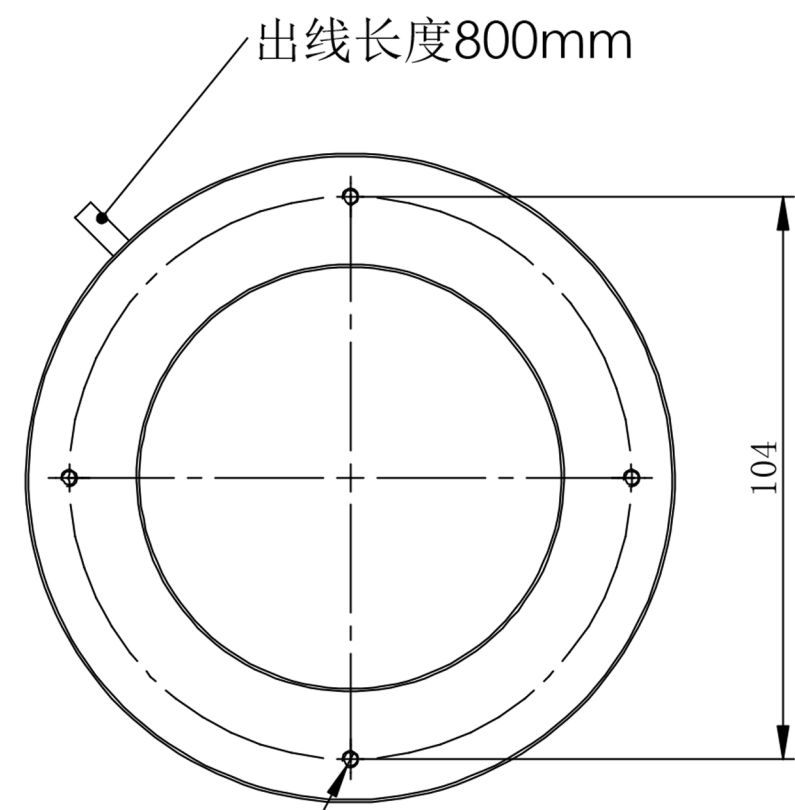
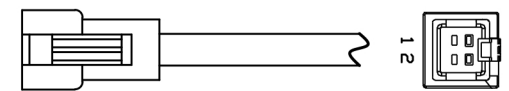


剖面 F-F



M3 - 6H  $\nabla$  6  
 $\phi$  2.50  $\nabla$  7.50

Details of Connector

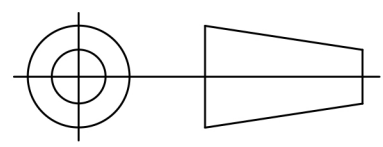


Pin1: - (Blue)  
 Pin2: + (Red)

Connector Type: SMR-03V-B (Light Side)  
 SMP-03V-BC (Power Supply Side)

Specification:

MODEL	PL-RI12060-W/-B/-G/-UV	-R/-IR850/-IR940
Wavelength (nm)	6500K/470/530/385	625/850/940
Power Supply	DC24V/13 (W)	DC24V/9 (W)



Itemref	Quantity	Material: AL/ACRIL	ArticleNo./Reference
			Filename PL-RI12060
			Scale 1/1
<b>PL-RI12060-U</b>			
PL-RI12060-0000			Edition VER.1.0
			Sheet 1