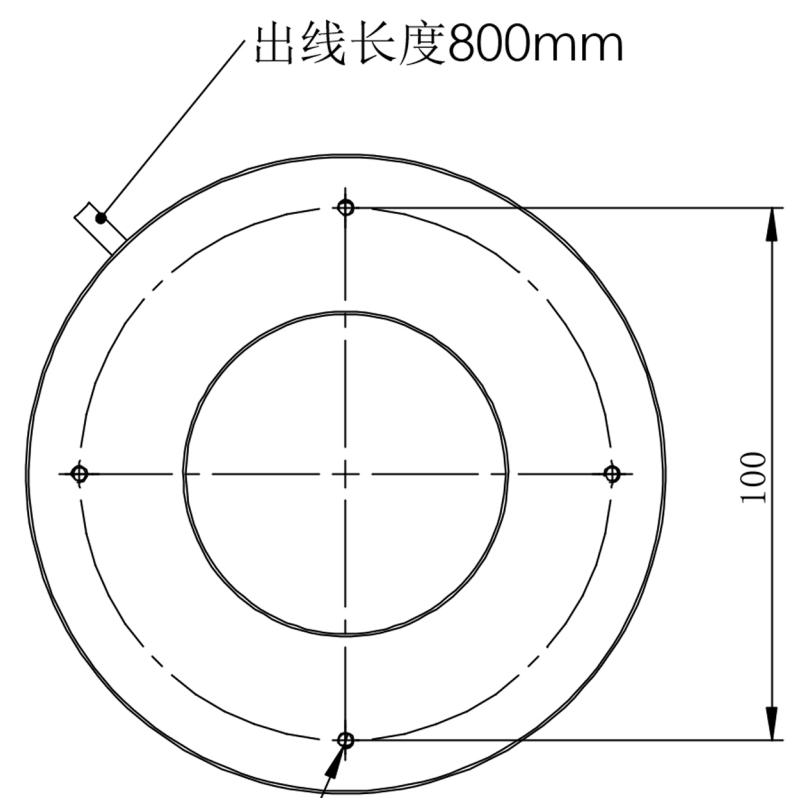
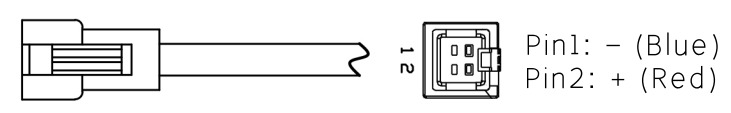


剖面 F-F



4 x M3 - 6H ∇ 6
 ϕ 2.50 ∇ 7.50

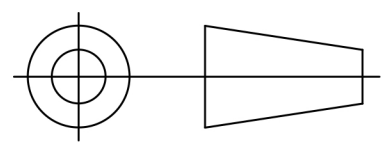
Details of Connector



Pin1: - (Blue)
 Pin2: + (Red)
 Connector Type: SMR-03V-B (Light Side)
 SMP-03V-BC (Power Supply Side)

Specification:

MODEL	PL-RI12030-W/-B/-G/-UV	-R/-IR850/-IR940
Wavelength (nm)	6500K/470/530/385	625/850/940
Power Supply	DC24V/16.8 (W)	DC24V/11.5 (W)



Itemref	Quantity	Material: AL/ACRIL	ArticleNo./Reference
			Filename PL-RI12030
			Scale 1/1
PL-RI12030-U			
		PL-RI12030-0000	Edition VER.1.0
			Sheet 1