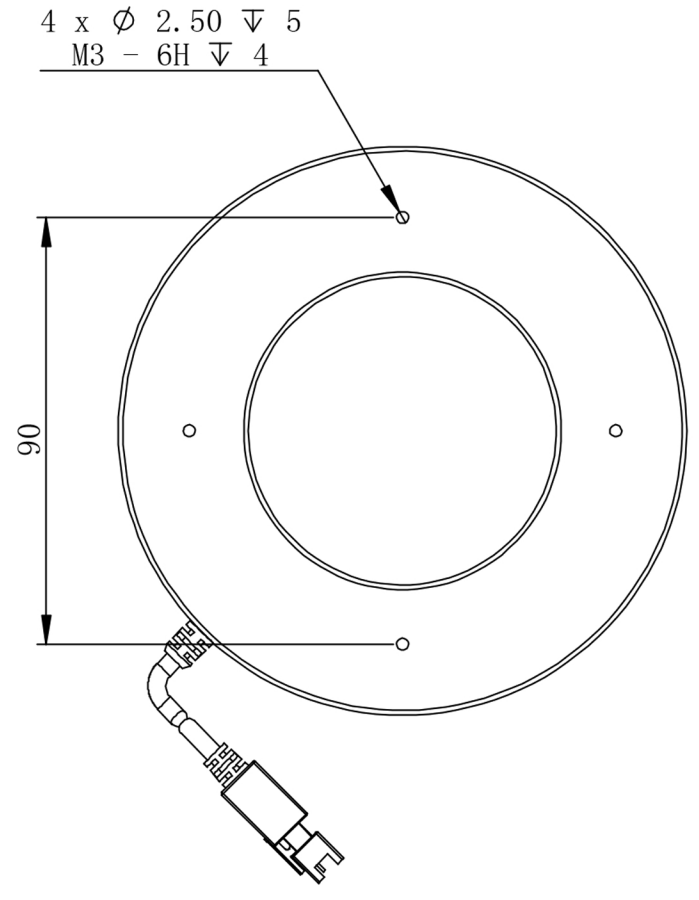
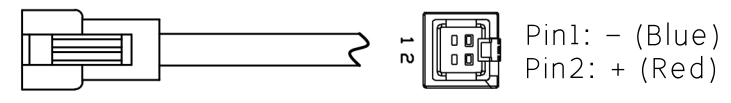


剖面 B-B



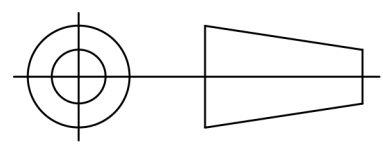
Details of Connector



Connector Type: SMR-03V-B (Light Side)
SMP-03V-BC (Power Supply Side)

Specification:

| | | |
|-----------------|------------------------|------------------|
| MODEL | PL-RI12010-W/-B/-G/-UV | -R/-IR850/-IR940 |
| Wavelength (nm) | 6500K/470/530/385 | 625/850/940 |
| Power Supply | DC24V/10 (W) | DC24V/7.2 (W) |



| | | | |
|---------------------|----------|--------------------|------------------------|
| Itemref | Quantity | Material: AL/ACRIL | ArticleNo./Reference |
| | | | Filename PL-RI12010 |
| | | | Scale 1/1 |
| PL-RI12010-U | | | |
| PL-RI12010-0000 | | | Edition VER.1.0 |
| | | | Sheet 1 |