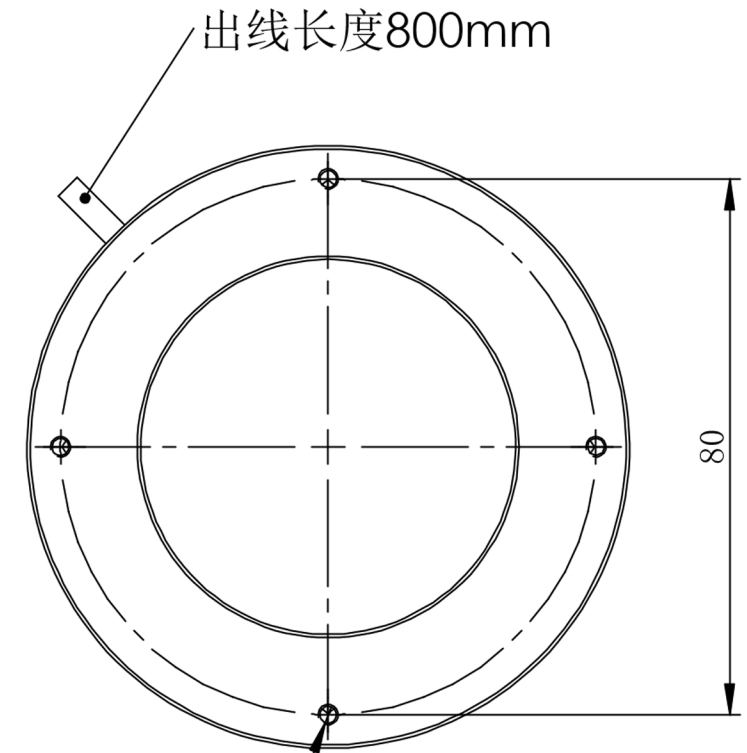
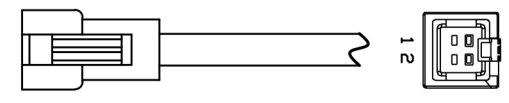


剖面 E-E



M3 - 6H ∇ 6
 ϕ 2.50 ∇ 7.50

Details of Connector

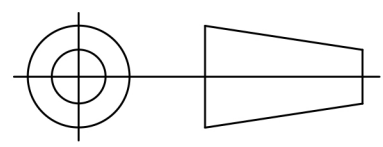


Pin1: - (Blue)
 Pin2: + (Red)

Connector Type: SMR-03V-B (Light Side)
 SMP-03V-BC (Power Supply Side)

Specification:

MODEL	PL-R19045-W/-B/-G/-UV	-R/-IR850/-IR940
Wavelength (nm)	6500K/470/530/385	625/850/940
Power Supply	DC24V/9.7 (W)	DC24V/6.5 (W)



Itemref	Quantity	Material: AL/ACRIL	ArticleNo./Reference
			Filename PL-R19045
		Scale 1/1	
			PL-R19045-U
		PL-R19045-0000	Edition VER.1.0
			Sheet 1