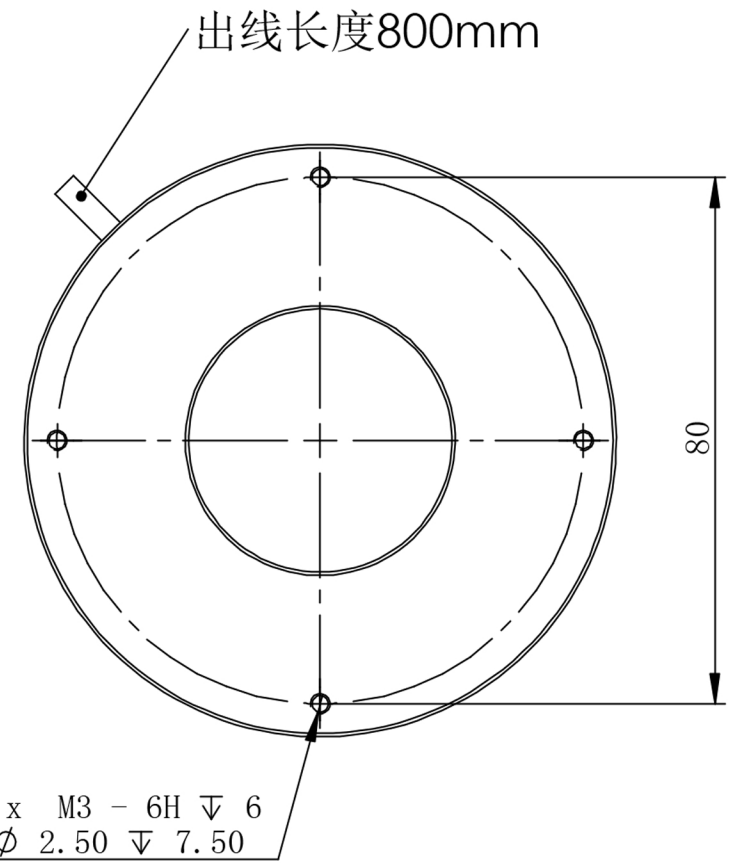
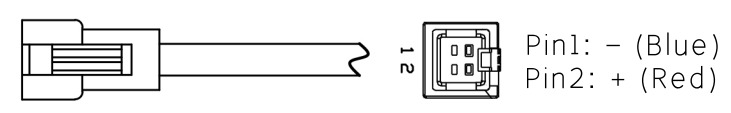


剖面 E-E



4 x M3 - 6H ∇ 6
 ϕ 2.50 ∇ 7.50

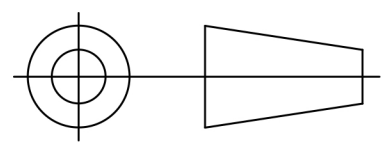
Details of Connector



Connector Type: SMR-03V-B (Light Side)
 SMP-03V-BC (Power Supply Side)

Specification:

MODEL	PL-R19030-W/-B/-G/-UV	-R/-IR850/-IR940
Wavelength (nm)	6500K/470/530/385	625/850/940
Power Supply	DC24V/10.56 (W)	DC24V/7.04 (W)



Itemref	Quantity	Material: AL/ACRIL	ArticleNo./Reference
			Filename PL-R19030
			Scale 1/1
PL-R19030-U			
		PL-R19030-0000	Edition VER.1.0
			Sheet 1