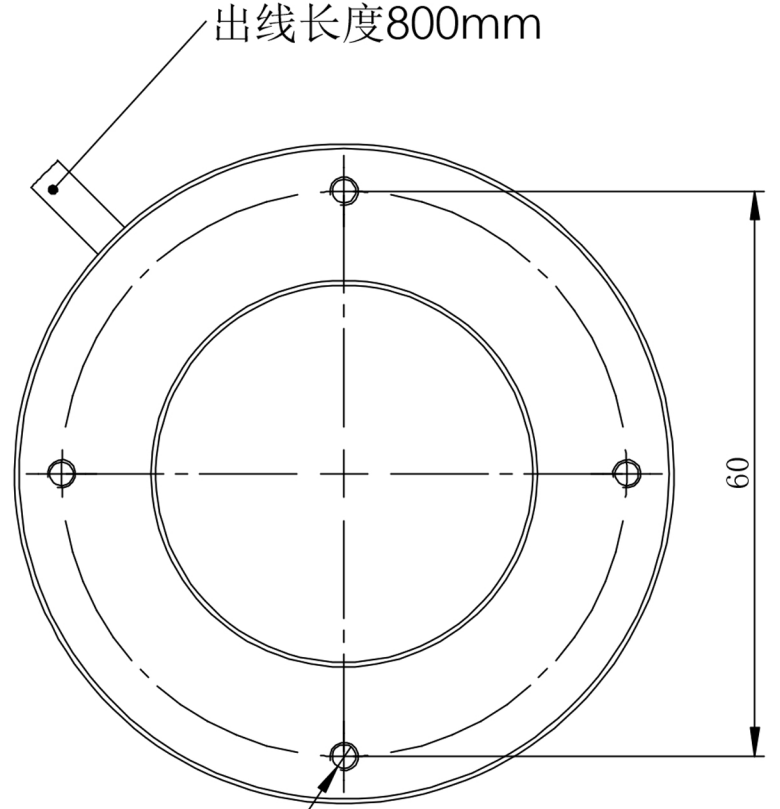
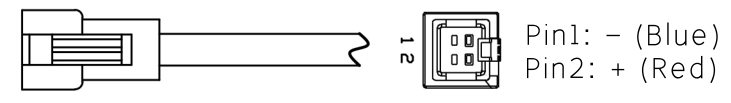


剖面 D-D



M3 - 6H ∇ 6
 ϕ 2.50 ∇ 7.50

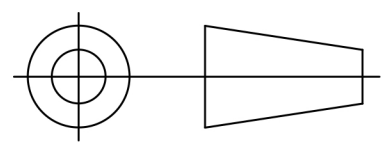
Details of Connector



Connector Type: SMR-03V-B (Light Side)
 SMP-03V-BC (Power Supply Side)

Specification:

MODEL	PL-R17060-W/-B/-G/-UV	-R/-IR850/-IR940
Wavelength (nm)	6500K/470/530/385	625/850/940
Power Supply	DC24V/7.2 (W)	DC24V/4.8 (W)



Itemref	Quantity	Material: AL/ACRIL	ArticleNo./Reference
			Filename PL-R17060
		Scale 1/1	
			PL-R17060-U
		PL-R17060-0000	Edition VER.1.0
			Sheet 1