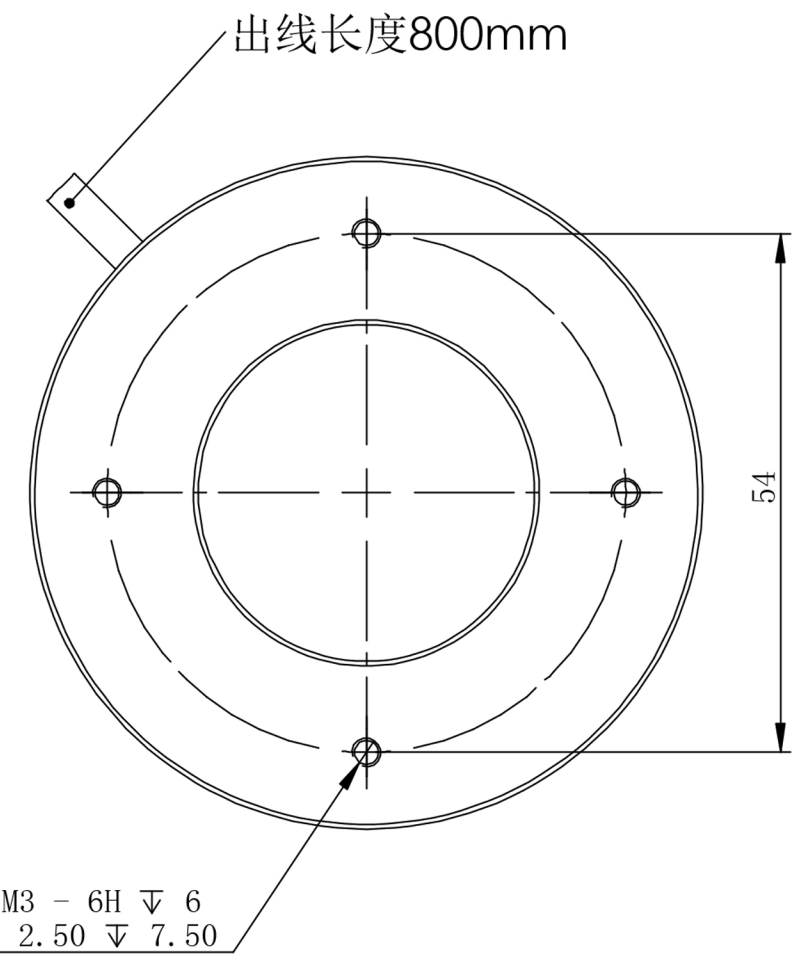
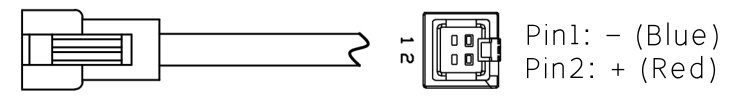


剖面 D-D



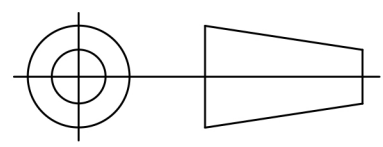
Details of Connector



Connector Type: SMR-03V-B (Light Side)  
SMP-03V-BC (Power Supply Side)

Specification:

|                 |                       |                  |
|-----------------|-----------------------|------------------|
| MODEL           | PL-R17015-W/-B/-G/-UV | -R/-IR850/-IR940 |
| Wavelength (nm) | 6500K/470/530/385     | 625/850/940      |
| Power Supply    | DC24V/5.88 (W)        | DC24V/3.92 (W)   |



|                    |          |                    |                       |
|--------------------|----------|--------------------|-----------------------|
| Itemref            | Quantity | Material: AL/ACRIL | ArticleNo./Reference  |
|                    |          |                    | Filename<br>PL-R17015 |
|                    |          |                    | Scale<br>1/1          |
| <b>PL-R17015-U</b> |          |                    |                       |
|                    |          | PL-R17015-0000     | Edition<br>VER.1.0    |
|                    |          |                    | Sheet<br>1            |