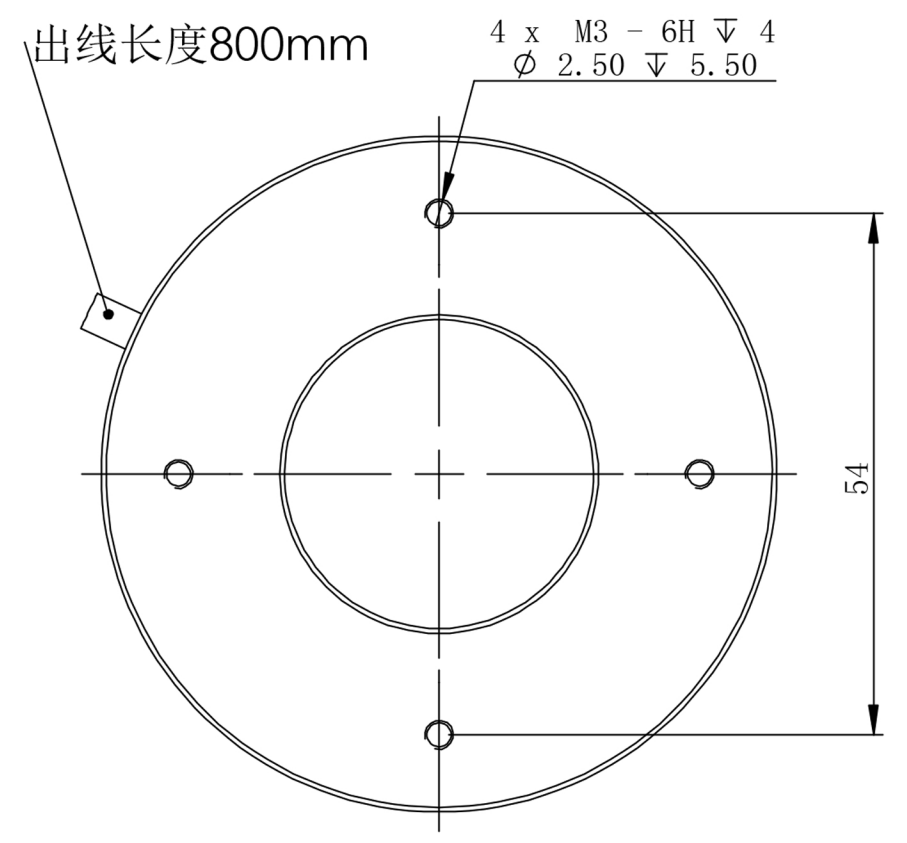
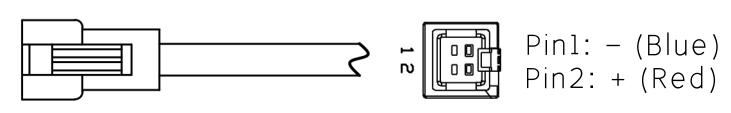


剖面 D-D



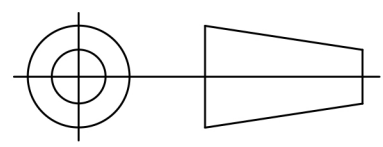
Details of Connector



Connector Type: SMR-03V-B (Light Side)  
SMP-03V-BC (Power Supply Side)

Specification:

MODEL	PL-R17000-W/-B/-G/-UV	-R/-IR850/-IR940
Wavelength (nm)	6500K/470/530/385	625/850/940
Power Supply	DC24V/6.9 (W)	DC24V/4.2 (W)



Itemref	Quantity	Material: AL/ACRIL	ArticleNo./Reference
			Filename PL-R17000
			Scale 1/1
<b>PL-R17000-U</b>			
		PL-R17000-0000	Edition VER.1.0
			Sheet 1