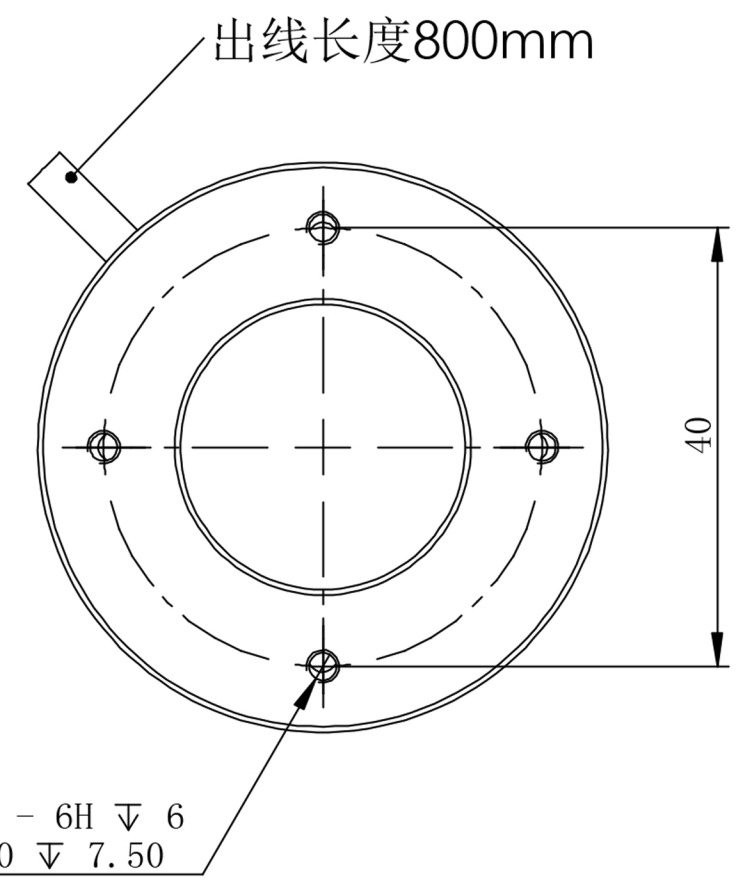
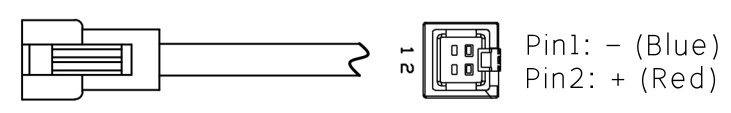


剖面 C-C



4 x M3 - 6H $\sqrt{6}$
 $\phi 2.50 \sqrt{7.50}$

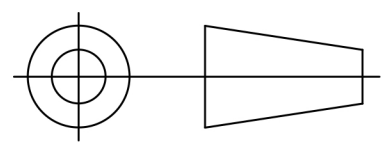
Details of Connector



Connector Type: SMR-03V-B (Light Side)
 SMP-03V-BC (Power Supply Side)

Specification:

MODEL	PL-R15030-W/-B/-G/-UV	-R/-IR850/-IR940
Wavelength (nm)	6500K/470/530/385	625/850/940
Power Supply	DC24V/2.5 (W)	DC24V/2.5 (W)



Itemref	Quantity	Material: AL/ACRIL	ArticleNo./Reference
			Filename PL-R15030
		PL-R15030-U	
		PL-R15030-0000	Edition VER.1.0
			Sheet 1