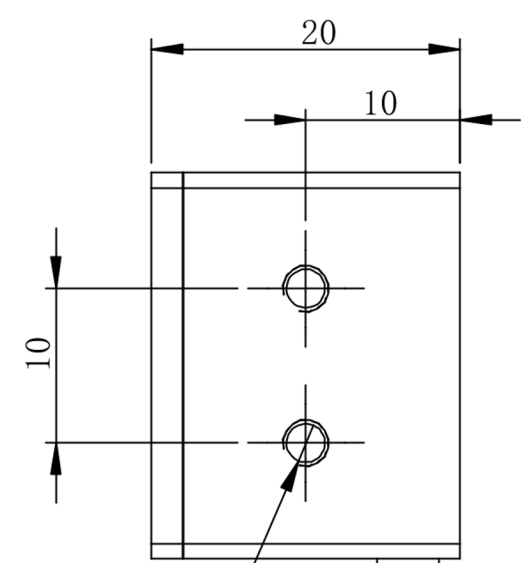
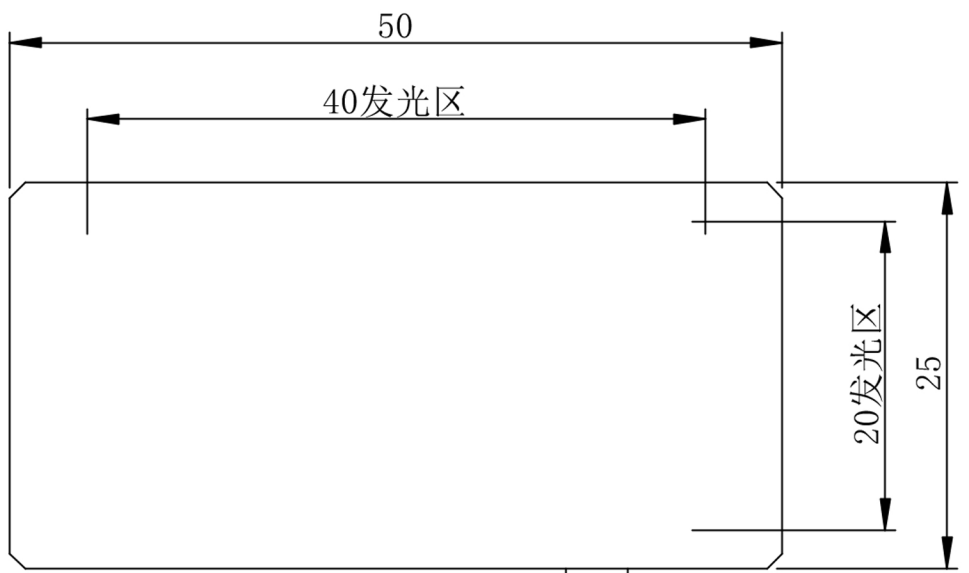


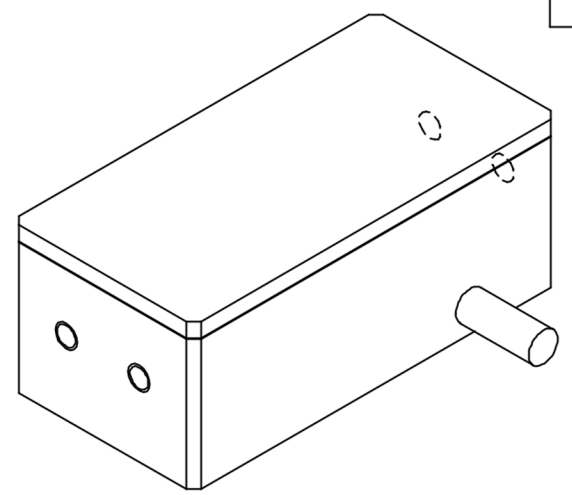
A
B
C
D
E
F

A
B
C
D
E
F

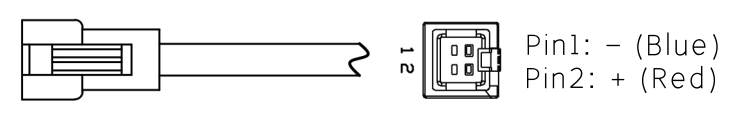


M3 - 6H ▽ 4
 Ø 2.50 ▽ 5.50
 两侧对称

光源线长1000mm



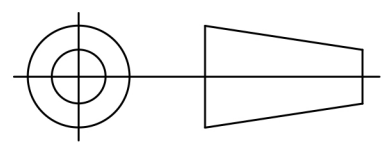
Details of Connector



Connector Type: SMR-03V-B (Light Side)
 SMP-03V-BC (Power Supply Side)

Specification:

MODEL	PL-GTR5025-W/-B/-G/-UV	-R/-IR850/-IR940
Wavelength (nm)	6500K/470/530/385	625/850/940
Power Supply	DC24V/1.1 (W)	DC24V/1.7 (W)



Itemref	Quantity	Material: AL/ACRIL	ArticleNo./Reference	
			Filename PL-GTR5025	Scale 1/1
			PL-GTR5025-U	
			PL-GTR5025-0000	Edition VER.1.0 Sheet 1