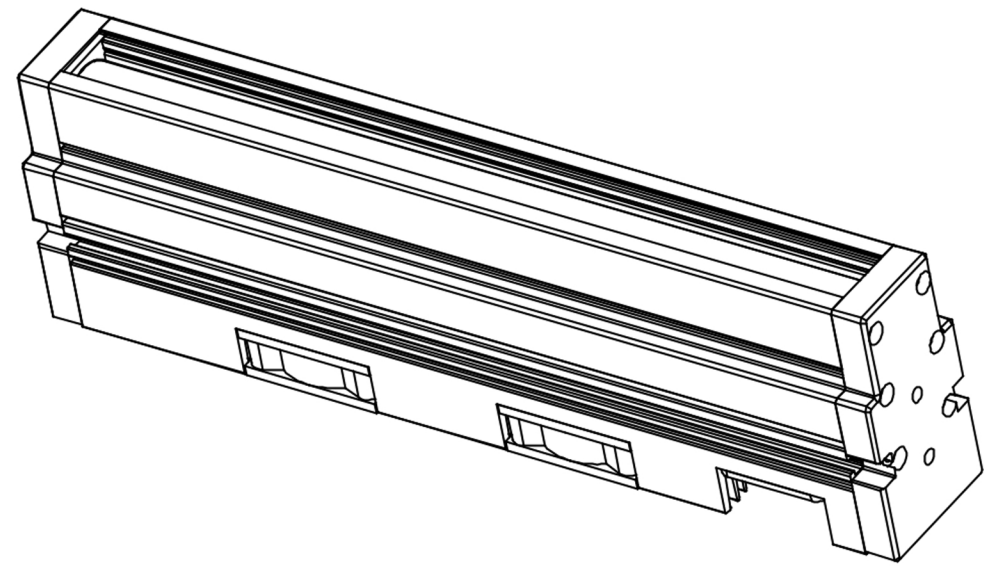
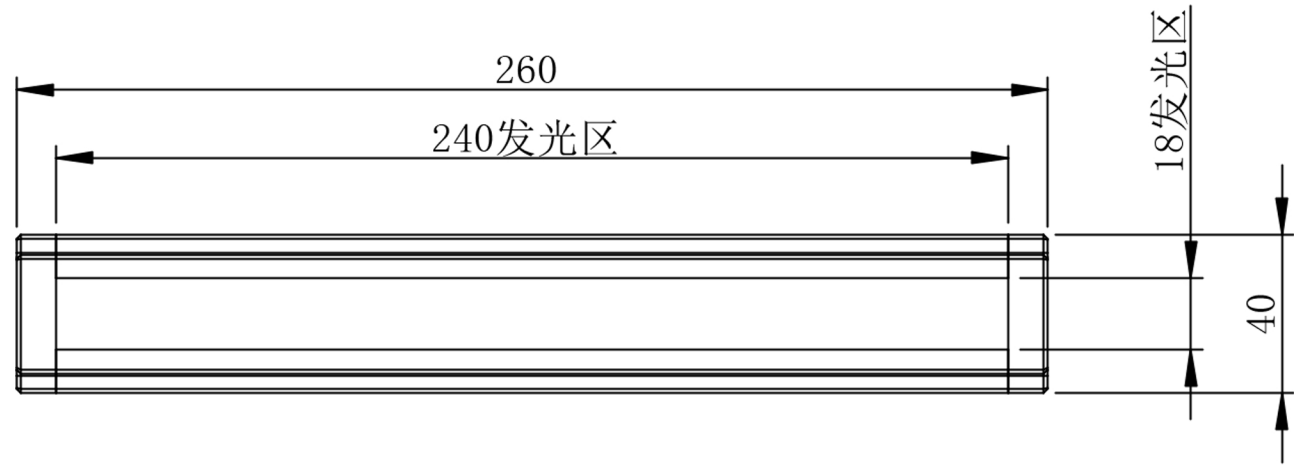


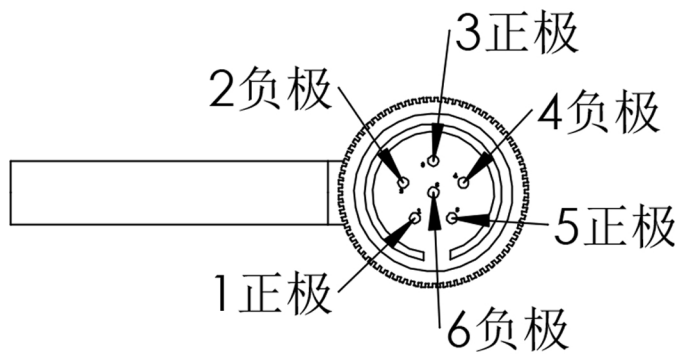
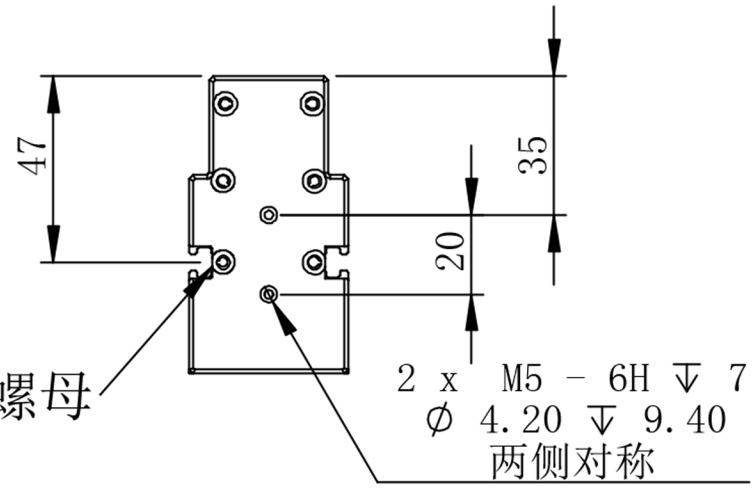
A  
B  
C  
D  
E  
F

A  
B  
C  
D  
E  
F



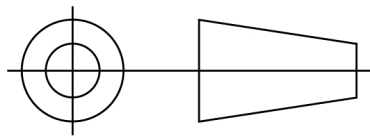
光源线长3米

可安装M4螺母



Specification:

MODEL	PL-LS260S-W/-B/-G/-UV	-R/-IR850/-IR940
Wavelength (nm)	6500K/470/530/385	625/850/940
Power Supply	DC24V/57.6 (W)	



Itemref	Quantity	Material: AL/ACRIL	ArticleNo./Reference	
			Filename PL-LS260S	Scale 1/1
			<b>PL-LS260S-U</b>	
			PL-LS260S-0000	Edition VER.1.0 Sheet 1