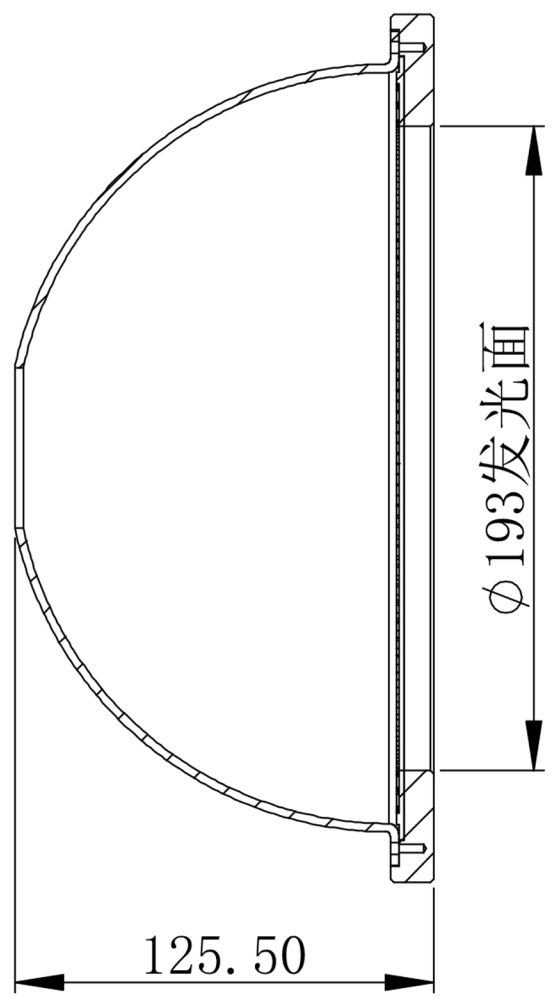
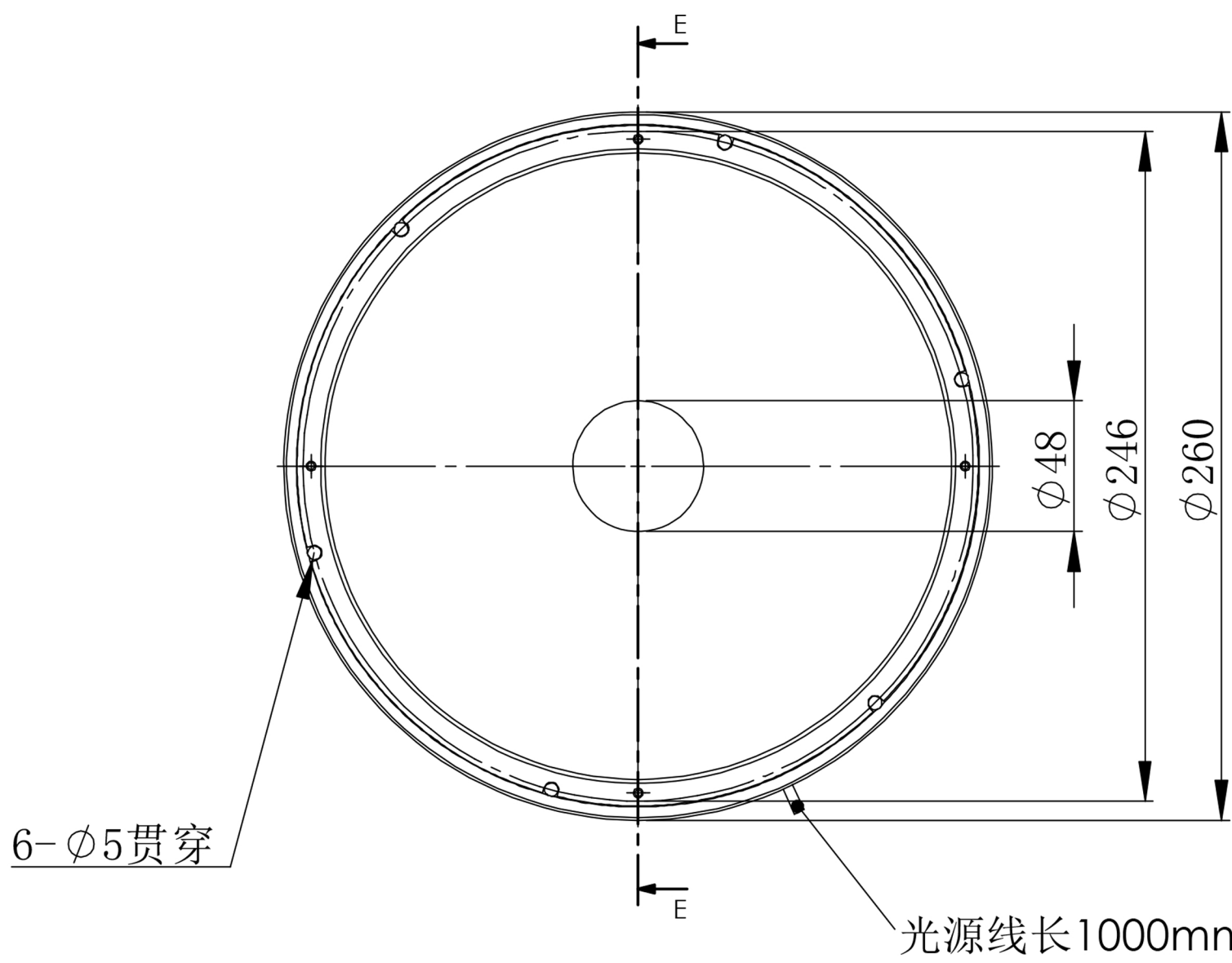
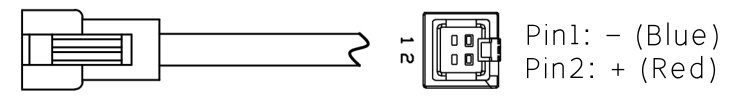


A  
B  
C  
D  
E  
F

A  
B  
C  
D  
E  
F



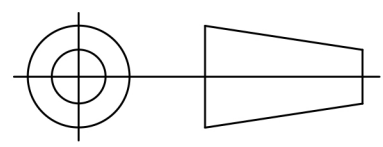
Details of Connector



Connector Type: SMR-03V-B (Light Side)  
SMP-03V-BC (Power Supply Side)

Specification:

MODEL	PL-RD240-W/-B/-G/-UV	-R/-IR850/-IR940
Wavelength (nm)	6500K/470/530/385	625/850/940
Power Supply	DC24V/10.8 (W)	DC24V/7.4 (W)



Itemref	Quantity	Material: AL/ACRIL	ArticleNo./Reference
			Filename PL-RD240
			Scale 1/1
<b>PL-RD240-U</b>			
		PL-RD240-0000	Edition VER.1.0
			Sheet 1