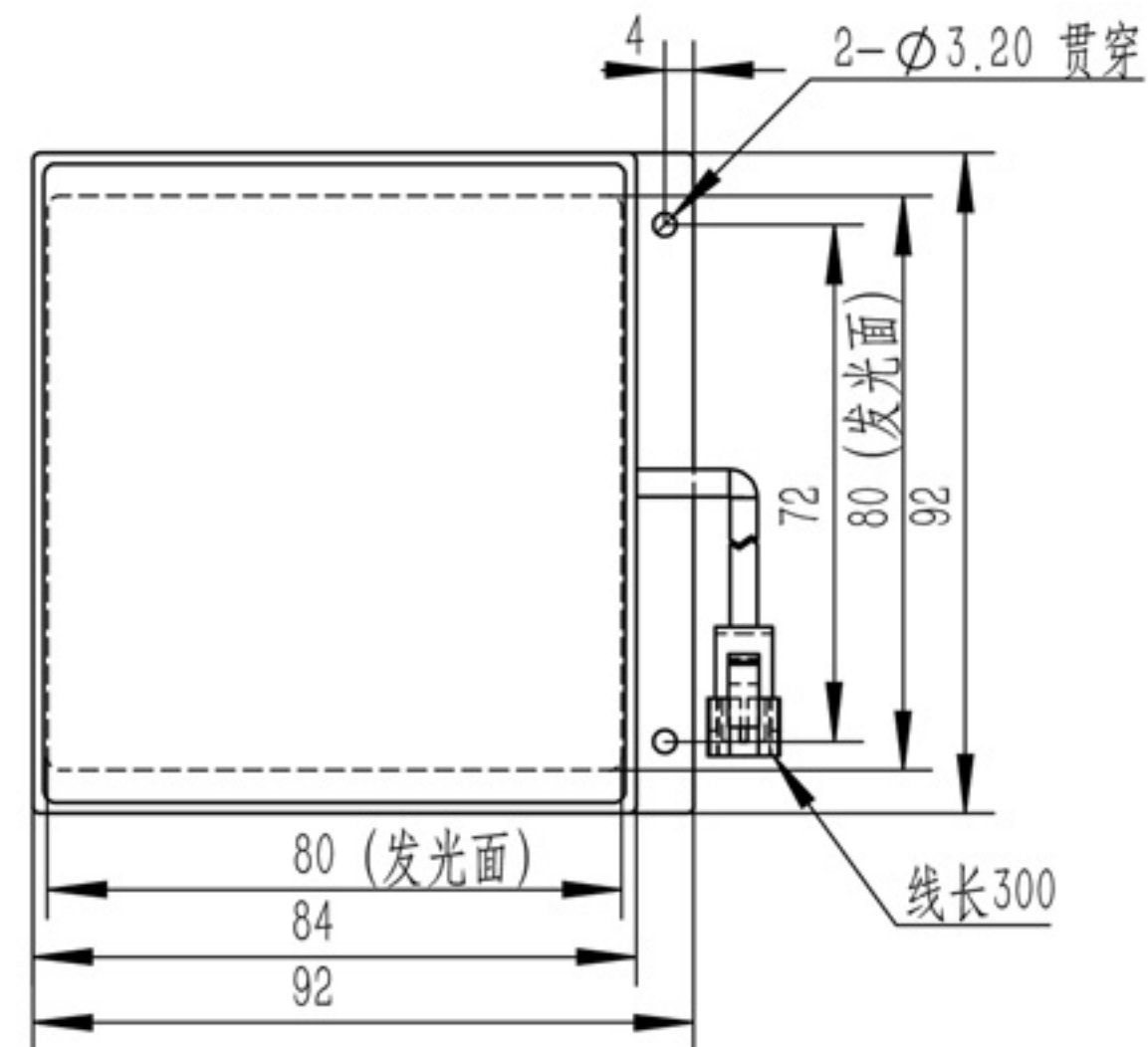
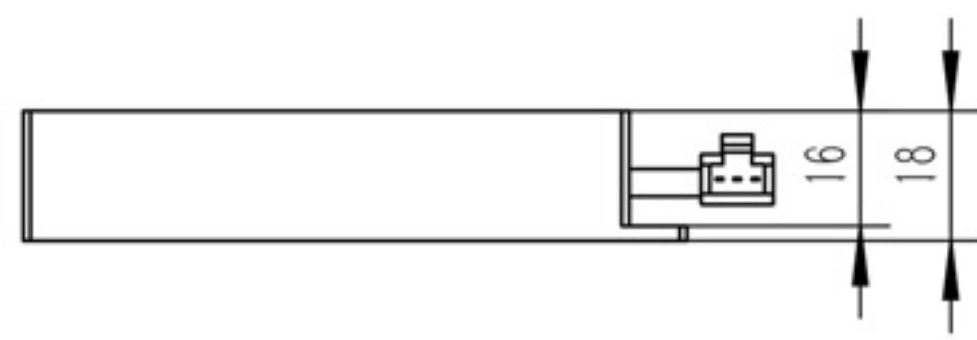
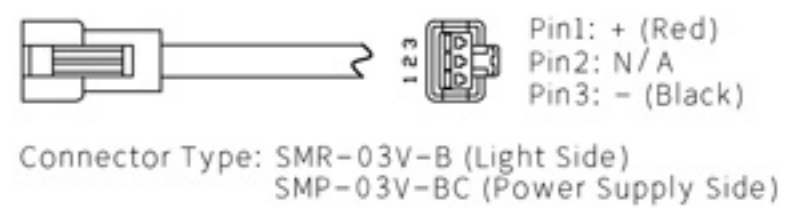


A
B
C
D
E
F

A
B
C
D
E
F

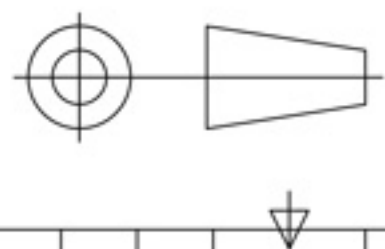



Details of Connector



Specification:

MODEL	YL-F8080-W/-UV/-B/-G/-Y/-R/-IR850/-IR940
Wavelength (nm)	6500K (Color temperature) / 390/470/525/625/850/940
Power Supply	DC24V/8 (W)



Itemref	Quantity	Material: AL/ACRIL	ArticleNo./Reference	
			Filename YL-F8080	Scale 1/1
 双翌 SHUANGYI			YL-F8080	
			YL-F8080-0000	Edition VER1.0 Sheet 1