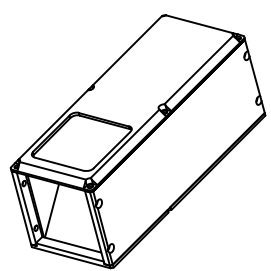
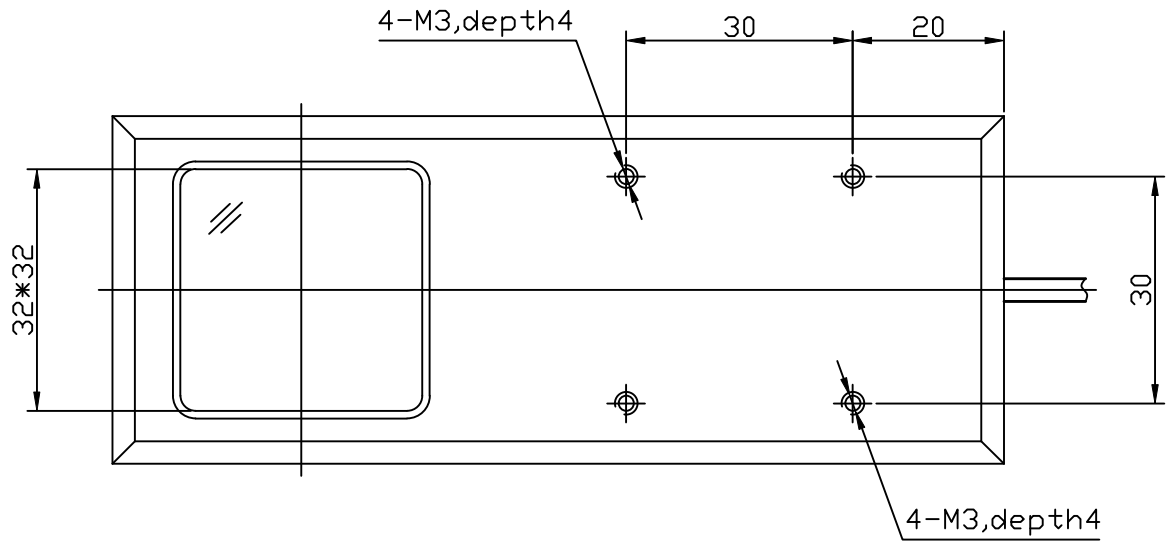
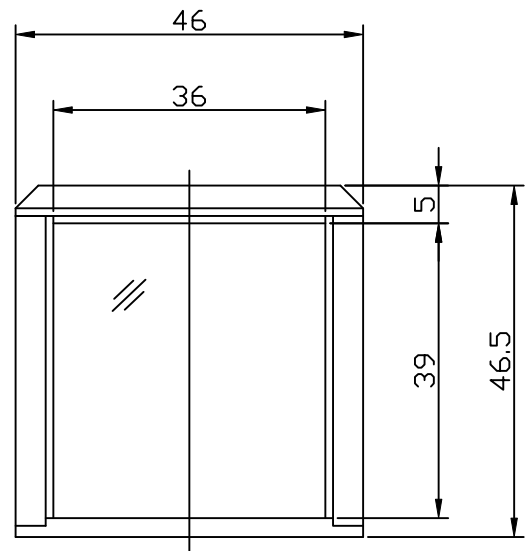
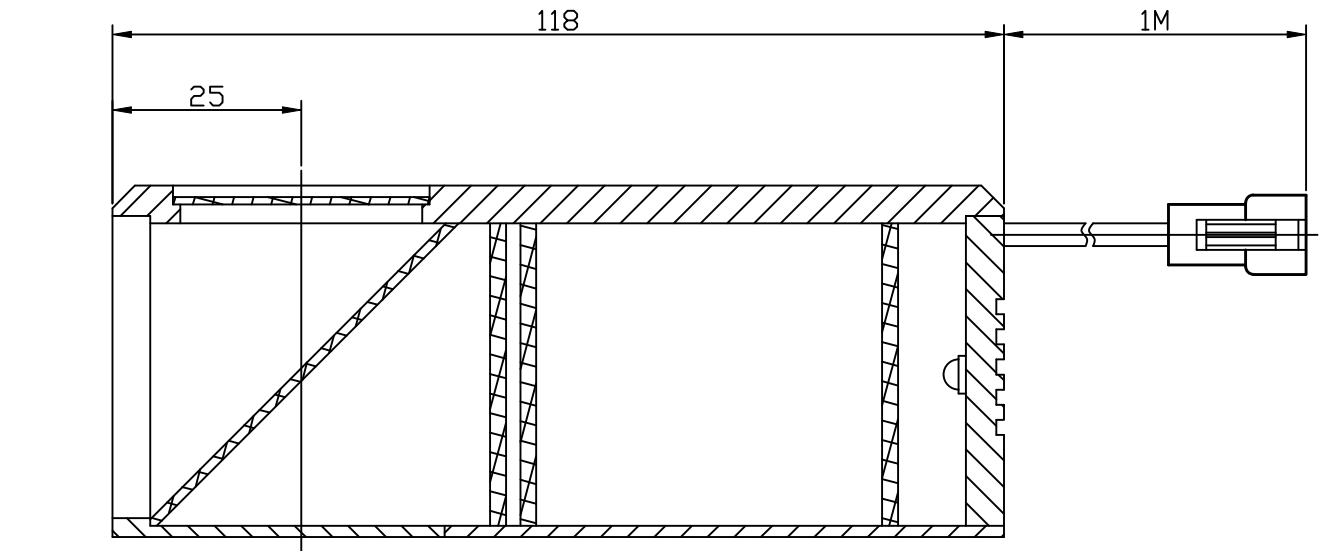
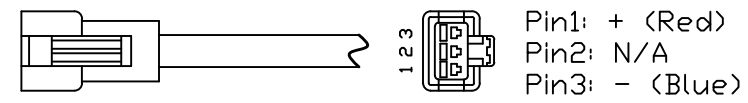


A  
B  
C  
D  
E  
F

A  
B  
C  
D  
E  
F



Details of Connector

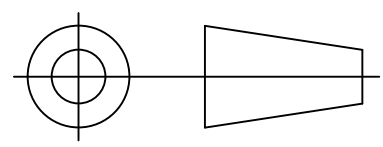


Pin1: + (Red)  
Pin2: N/A  
Pin3: - (Blue)

Connector Type: SMR-03V-B (Light Side)  
SMP-03V-BC (Power Supply Side)

Specification:

MODEL	WLFV3B-35B-W/-B/-G/-UV	-Y/-R/-IR850/-IR940
Wavelength(nm)	6500K/470/525/390	590/625/850/940
Power Supply	DC24V/6.5(W)	DC24V/4.9(W)
Weight	260g	



Itemref	Quantity	Material: AL	Article No./Reference		
Designed by DESIGNED_BY	Checked by CHECKED_BY	Approved by - date 2014-7-9	Filename WLFV3B-35B	Date 2014-7-9	Scale 1/1
WAVECREST(SH)			WLFV3B-35B-USER		
			WLFV3B-35B-0000	Edition VER.1.0	Sheet 1