

2-M3 NUT

2-M2, depth4

250

240

21

8

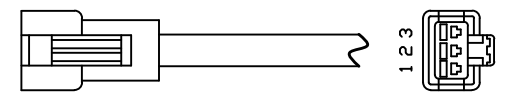
6

1M

26

31

Details of Connector

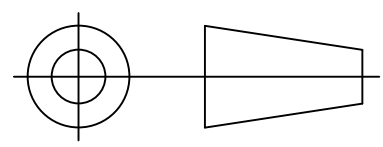
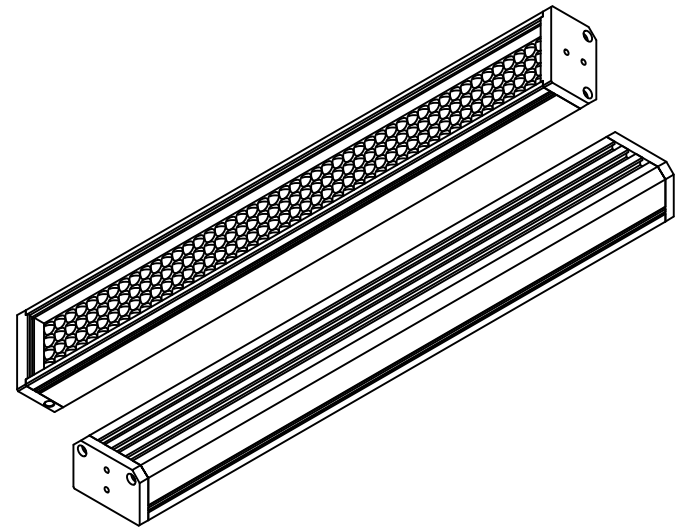


Pin1: + (Red)
Pin2: N/A
Pin3: - (Blue)

Connector Type: SMR-03V-B (Light Side)
SMP-03V-BC (Power Supply Side)

Specification:

MODEL	WLDL-240L26-W/-B/-G/-UV	-Y/-R/-IR850/-IR940
Wavelength(nm)	6500K/470/525/390	590/625/850/940
Power Supply	DC24V/17.3(W)	DC24V/11.5(W)
Weight	192g	



Itemref	Quantity	Material: AL	Article No./Reference		
Designed by Y.KOTANI	Checked by T.ONO	Approved by - date JULY-20,2014	Filename WLDL-240L26	Date JULY-20,2014	Scale 1/1
WAVECREST(SH)			WLDL-240L26-USER		
			WLDL-240L26-0000	Edition VER.1.0	Sheet 1